

CD RECEIVER

# CKDC-MP576 CKDC-MP676F CKDC-MP676V SERVICE MANUAL

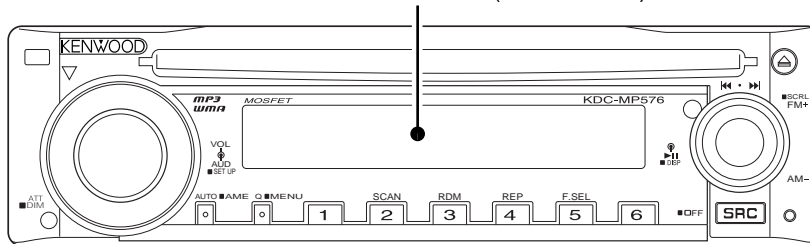
# KENWOOD

Kenwood Corporation

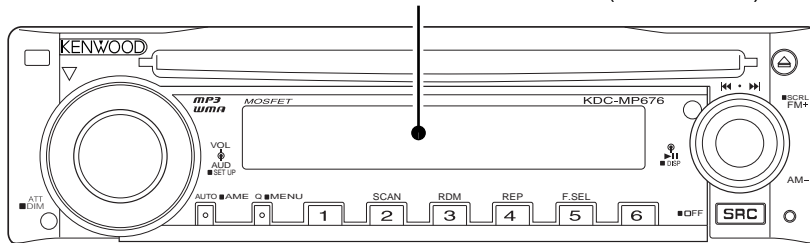
© 2006-2 CREATED IN JAPAN  
B53-0385-00 (N) 0

MANUFACTURED BY VISTEON

Front glass  
CKDC-MP576 (B10-4838-02)

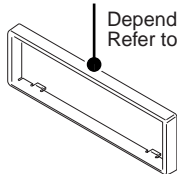


Front glass  
CKDC-MP676F/MP676V (B10-4839-02)

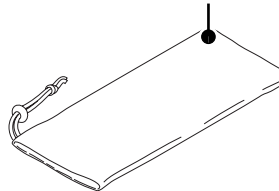


Escutcheon  
(B07-xxxx-xx)

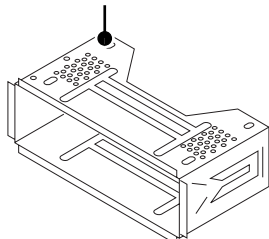
Depends on the model.  
Refer to the parts list.



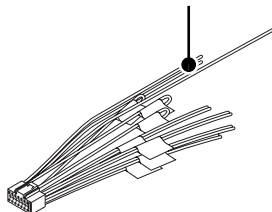
Carrying case  
(W01-1661-05)



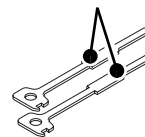
Mounting hardware assy  
(J22-0227-03)



DC cord  
(E30-6583-05)



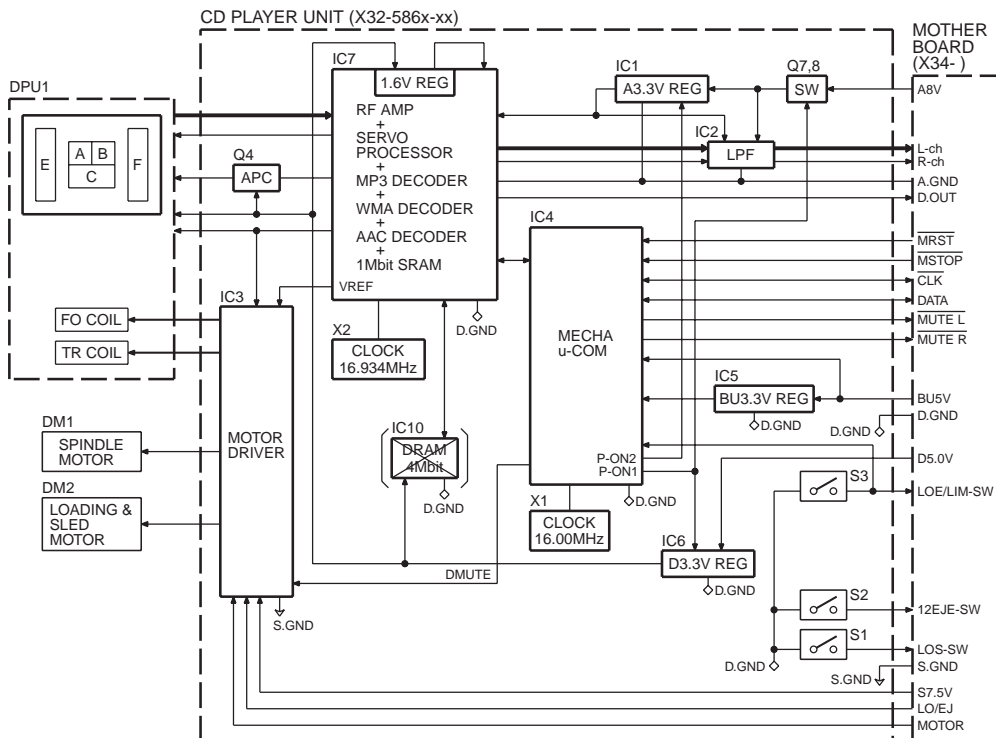
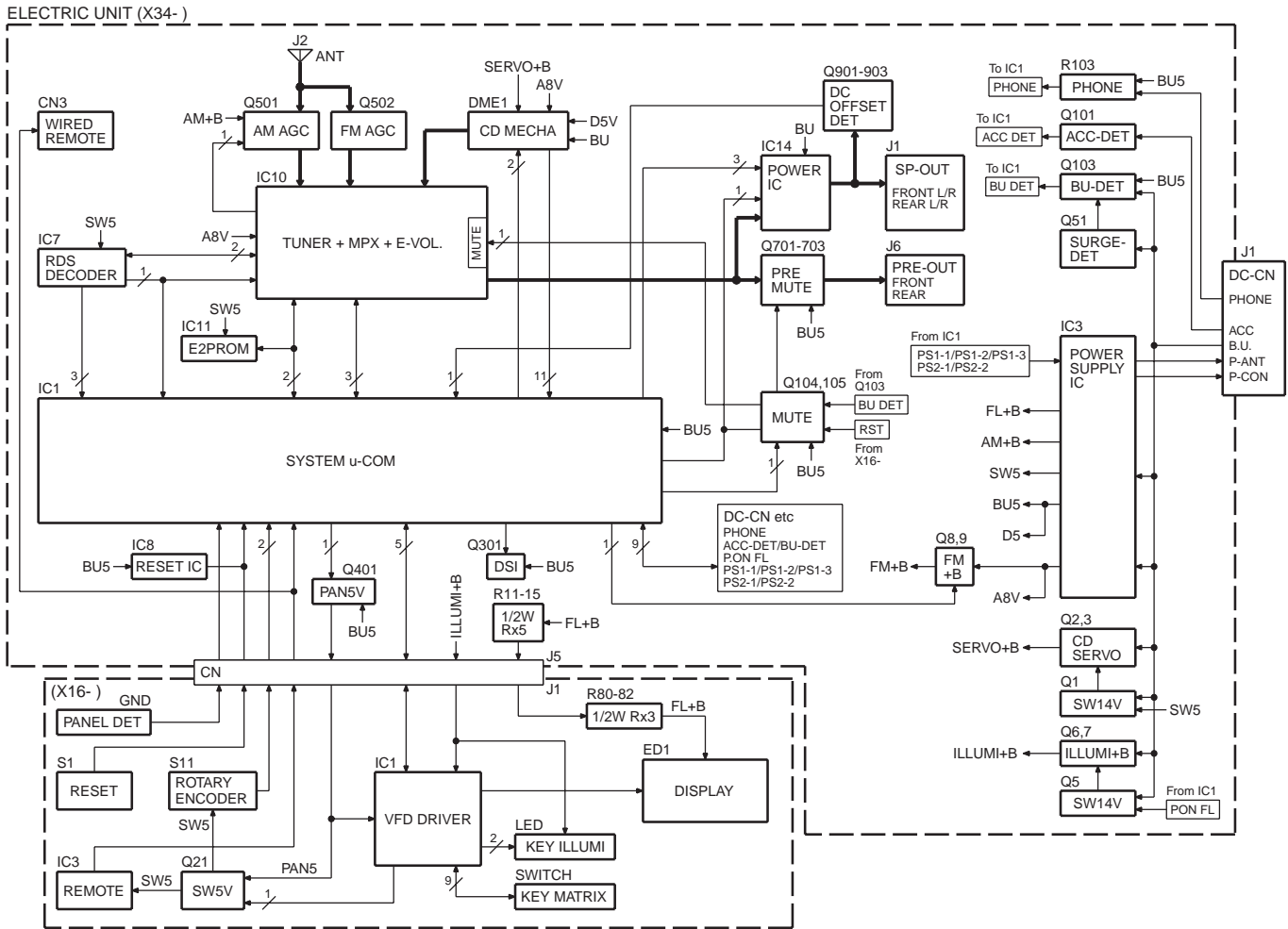
Lever  
(D10-4705-04) x2



This product uses Lead Free solder.



# BLOCK DIAGRAM



## COMPONENTS DESCRIPTION

### ● ELECTRIC UNIT (X34-4570-10)

Ref. No.	Application / Function	Operation / Condition
IC1	System $\mu$ -COM	System control
IC3	Power Supply IC	DC5V x 1, 7.9V x 1, 8.1V x 2, 10.2V x 1, P-CON, P-ANT output
IC8	Reset IC	"L": detection voltage below 3.6V
IC10	E-VOL & Tuner	E-VOL, Tuner, Stereo decoder
IC11	E2PROM	Save & Load for tuner adjust data
IC14	Power IC	Signal amplifier
Q1	14V SW	ON when the base goes "Hi"
Q2	SERVO+B AVR	Output voltage 7.5V
Q3	Control SW for SERVO+B	ON when the base goes "Hi"
Q5	FL+B SW	ON when the base goes "Hi"
Q6	FL+B AVR	Output voltage 11V
Q7	Control SW for FL+B	ON when the base goes "Hi"
Q8	FM+B AVR	Output voltage 8.0V
Q9	Control SW for FM+B	ON when the base goes "Hi"
Q51	SERGE Det.	ON when the base goes "Hi"
Q101	ACC Det.	ON when the base goes "Hi" during ACC is applied
Q103	BU Det.	ON when the base goes "Hi" during BU is applied
Q104,105	MUTE Control	ON when the base goes "Hi"
Q301	DSI ILLUMI SW	ON when the base goes "Hi"
Q401	Panel 5V SW	ON when the base goes "Lo"
Q501	AM RF Amplifier	Adjusts for gain
Q502	FM RF Amplifier	RF amplifier
Q701	Mute driver for PRE OUT	ON when the base goes "Lo"
Q702	Mute SW for Lch PRE OUT	Pre-output is muted when the base goes "Hi"
Q703	Mute SW for Rch PRE OUT	Pre-output is muted when the base goes "Hi"
Q901	DC OFFSET Det	ON when the base goes "Q902 and Q903's output separate"
Q902,903	DC OFFSET Det SW	ON when the base goes "IC14's SP-OUT (DC) separate"

### ● SWITCH UNIT (X16-381x-xx)

Ref. No.	Application / Function	Operation / Condition
IC1	VFD DRIVER	
Q21	PAN SW5V	"ON" when the base goes "H"

## COMPONENTS DESCRIPTION

### ● CD PLAYER UNIT (X32-5860-00)

Ref. No.	Application / Function	Operation / Condition
IC1	A3.3V regulator	Power supply for audio 3.3V
IC2	Ope amp for low-pass filter	
IC3	4ch BTL driver	Driving spindle motor and loading/ejection operation
IC4	Mechanism $\mu$ -com	
IC5	BU 3.3V regulator	Power supply for backup 3.3V
IC6	D3.3V regulator	Digital 3.3V power supply
IC7	Audio DAC built-in servo DSP	MP3, WMA, and AAC compatible
IC9	E2PROM	
IC11	Buffer IC	Level shift
Q1	A3.3V discharge circuit	
Q4	Current amp	Adjusts current to be sent to laser
Q5,6	SW 5V	
Q7,8	SW 8V	
D1	For current amp	

## MICROCOMPUTER'S TERMINAL DESCRIPTION

### ● SYSTEM $\mu$ -com: IC1 (X34:- ELECTRIC UNIT)

Pin No.	Pin Name	I/O	Application	Truth Value Table	Processing / Operation / Description
1	PS2 2	O	Power IC control 2-2	①	Refer to the truth value table
2	PS2 1	O	Power IC control 2-1	①	Refer to the truth value table
3	PS1 1	O	Power IC control 1-1	①	Refer to the truth value table
4	PS1 2	O	Power IC control 1-2	①	Refer to the truth value table
5	PS1 3	O	Power IC control 1-3	①	Refer to the truth value table
6	REMO	I	Remote control signal input		Detect pulse width
7	NC	-	Not used		Fix to output L
8	BYTE	I	Memory extension bus width setting		Connect to VSS
9	CNVSS	-			Connect to VSS. H: Can be changed (Only for FLASH)
10	XCIN	-	32.768kHz		
11	XCOUT	-	32.768kHz		
12	$\overline{\text{RESET}}$	-			L: RESET
13	XOUT	-	10.0MHz		
14	VSS	-			
15	XIN	-	10.0MHz		
16	VCC1	-			
17	NMI	I			Connect to VCC (pull up)

## MICROCOMPUTER'S TERMINAL DESCRIPTION

Pin No.	Pin Name	I/O	Application	Truth Value Table	Processing / Operation / Description
18	CN DET	I	Panel communication detection		H: Without PANEL, L: With PANEL
19	NC	-	Not used		Fix to output L
20	KEY REQ	I	Communication request form VFD driver		Connect to INT
21	PON FL	O	Key illumi power supply control		ON: H, OFF: L
22	DSI	I/O	DSI control		OFF: Hi-z PANEL detached, Pulse drive ON: H
23	PON PANEL	I/O	Panel 5V control		ON: L, Momentary power down, when PANEL detached, 11 minutes after ACC OFF: Hi-z
24~27	NC	-	Not used		Fix to output L
28	PWIC BEEP	O	Beep output		
29	CD SCL	I/O	CD mechanism I2C clock output		
30	CD SDA	I/O	CD mechanism I2C data input/output		
31	VFD SYS DATA	O	VFD data output		Data output
32	VFD PAN DATA	I	VFDINT/data input		INT/data input
33	VFD CL	O	VFD clock output		52kHz
34	VFD INH	O	VFD data blanking output		H: Cancel reset, L: RESET, L: Momentary power down, when PANEL detached, 11 minutes after ACC OFF
35	AUD SDA	I/O	IC10 I2C data input/output		
36	AUD SCL	I/O	IC10 I2C clock input/output		
37	CD MUTE	I	CD MUTE request		L: MUTE request
38	CD MSTOP	O	CD mechanism $\mu$ -com stop		H: Mechanism $\mu$ -com in operation, L: Mechanism $\mu$ -com stopped
39	CD LOE LIM SW	I	CD detection (chucking SW)		H: Loading completed, L: Disc not found
40	CD LOEJ	I/O	CD motor control	②	Refer to the truth value table
41	EPM	I	FLASH EPM input		L: Can be changed (Only for FLASH). Connect to VSS (pull down)
42	CD MOTOR	O	CD motor control	②	Refer to the truth value table
43	CD DISC8 SW	I	CD disc detection (8cm)		
44	CD MRST	O	CD mechanism $\mu$ -com RST		H: Normal, L: Reset
45	CD DISC12 SW	I	CD disc detection (12cm)		
46	VFD CE	O	VFD control request		
47	CD LOS SW	I	CD loading detection		
48,49	NC	-	Not used		Fix to output L
50	ROTARY CW	I	VOL key input		Detect pulse width
51	NC	-	Not used		Fix to output L
52	ROTARY CCW	I	VOL key input		Detect pulse width
53~56	NC	-	Not used		Fix to output L
57	RDS AFS L	O	TUN RDS MUTE output		H: Normal L: FM/AM SEEK, AF search (L: When Tuner SRC Auto Zero)
58	TUN ADJ	I	For IC10 adjustment + E2PROM write request		When ADJ=H, PS1-1,2,3=Hi-z, PS2-1,2=Hi-z, TUN DATA, CLK=Hi-z, MUTE=L, E2PROM writing-in
59	TUN SD	I	TUN search stop input		H: Station found, L: Station not found

## MICROCOMPUTER'S TERMINAL DESCRIPTION

Pin No.	Pin Name	I/O	Application	Truth Value Table	Processing / Operation / Description
60	TUN FANC OUT	O	TUNER block (in $\mu$ -com) check		Only when test mode, E2P OK: H, E2P NG: L, Normal: L
61	PON FM	I/O	FM power supply control		H: When FM is active, Hi-z: When FM is not active
62	VCC2	-			
63	NC	-	Not used		Fix to output L
64	VSS	-			
65	MUTE	I/O	MUTE		L: MUTE OFF, Hi-z: MUTE ON
66	PWIC SVR	O	SVR discharge circuit (Not used)		When momentary power down by POWER OFF, 5 seconds : H, Thereafter: L
67	PWIC STBY	O	Power IC stand-by control		POWER ON: H, POWER OFF: L
68	PWIC MUTE	O	Power IC MUTE		While STANDBY source, Momentary power down: L , While TEL MUTE: L
69~74	NC	-	Not used		Fix to output L
75	RDS CLK	I	RDS decoder CLK input (RDS model only)		
76	TUN TYPE1	I	Destination setting 1	③	Refer to the truth value table
77	TUN TYPE2	I	Destination setting 2	③	Refer to the truth value table
78	TYPE1	I	Destination change	④	Refer to the truth value table
79	TYPE2	I	Destination change	④	Refer to the truth value table
80	TYPE3	I	Destination change	④	Refer to the truth value table
81	RDS NOISE	I	FM noise detection		
82	TUN SMETER	I	S meter input		
83	RDS AFS L 2	O	TUN RDS MUTE output (Not used in circuit, used in software)		H: Normal L: FM/AM SEEK, AF search (L: When Tuner SRC Auto Zero) * Same process with RDS AFS L
84~86	NC	-	Not used		Fix to output L
87	PWIC DC DET	I	DC offset detection		
88	LINE MUTE	I	Line mute detection		TEL MUTE: 1V or lower, NAVI MUTE: 2.5V or higher NAVI MUTE: 1V or lower and 2.5V or higher (J-TYPE)
89,90	NC	-	Not used		Fix to output L
91	RDS DATA	I	RDS decoder DATA input		
92	RDS QUAL	I	RDS decoder QUAL input		
93	NC	-	Not used		Fix to output L
94	$\overline{\text{ACC DET}}$	I	ACC power supply detection		L: ACC ON, H: ACC OFF
95	$\overline{\text{BU DET}}$	I	Momentary power down detection		L: BU found, H: BU not found, momentary power down Activated within 4ms after detection of momentary power down
96	AVSS	-			Connect to VSS
97	REF CON	O	VREF control		Connect to VREF
98	VREF	-			Connect to REF CON
99	AVCC	-			Connect to VCC
100	NC	-	Not used		Fix to output L

# MICROCOMPUTER'S TERMINAL DESCRIPTION

## Truth Value Table

### ① : Power supply IC (IC3) control

SEL1 (Pin No. 11)

PS1-2	PS1-3	PS2-1	ILLUMI	P-CON	P-ANT
L	L	L	OFF	OFF	OFF
L	L	H	ON	OFF	OFF
H	L	H	ON	ON	OFF
H	H	H	ON	ON	ON

SEL2 (Pin No. 12)

PS1-1	PS2-2	AUDIO	SW5	AM
L	L	OFF	OFF	OFF
H	L	ON	ON	OFF
H	H	ON	ON	ON

### ② : CD mechanism control operation

	CD MOTOR	CD LOEJ
Stop	L	L
Load	H	L
Eject	H	H
Brake	H	Hi-z

### ③ : Destination setting

Model	TYPE 1	TYPE 2
KENWOOD brand model (initial value)	L	L
OEM model (with CRSC changed)	L	H
KENWOOD brand model (with CRSC changed)	H	L
KENWOOD brand model (to support test-driving in EU)	H	H

### ④ : Destination change

TYPE 3 (Pin 80)	TYPE 2 (Pin 79)	TYPE 1 (Pin 78)	Model
0	0	0	CKDC-MP576/MP676F/MP676V

## ● MECHANISM $\mu$ -com: IC4 (X32- : CD PLAYER UNIT)

Pin No.	Pin Name	I/O	Application	Processing Operation Description	Remarks
1	NC	-	Not used	Low-fixed	
2	E2P SCL	I/O	ROM correction E2P I2C clock		
3~5	NC	-	Not used	Low-fixed	
6	VDD	-	5V electric potential		
7	GND	-	GND electric potential		
8,9	NC	-	Not used	Low-fixed	
10,11	PON1, PON2	O	Power ON/OFF control	H : ON, L : OFF	
12	LOE/LIM SW	I	Down-limit SW detection	L : Lim detection	

## MICROCOMPUTER'S TERMINAL DESCRIPTION

Pin No.	Pin Name	I/O	Application	Processing Operation Description	Remarks
13	DAC MUTE	O	DAC MUTE control	H : MUTE ON, L : MUTE OFF	Used with DXM-6685W (X32-586). With DXM-6580W (X32-574), open and L-fixed.
14	DAC RST	O	DAC RESET	H : NORMAL, L : RESET	Used with DXM-6685W (X32-586). With DXM-6580W (X32-574), open and L-fixed.
15	EMPH	O	External DAC Emphasis control	H : Emphasis ON, L : Emphasis OFF	Used with DXM-6685W (X32-586). With DXM-6580W (X32-574), open and L-fixed.
16,17	NC	-	Not used	Low-fixed	
18	IC/Vpp	-	Write voltage (FLASH)	L : Normal operation, H : In writing.	
19	MUTE L	O	Lch audio MUTE control	L : MUTE ON, H : MUTE OFF	
20	MUTE R	O	Rch audio MUTE control	L : MUTE ON, H : MUTE OFF	
21	TYPE	I	DAC switching	H : DSP built-in DAC used, L : DSP built-in DAC Not used	H : DXM-6580W (X32-574), L : DXM-6685W (X32-586)
22	TEST O 1	O	TEST MODE O 1	(Not used)	
23	TEST O 2	O	TEST MODE O 2	(Not used)	
24	TEST O 3	O	TEST MODE O 3	(Not used)	
25	TEST O 4	O	TEST MODE O 4	(Not used)	
26	NC	-	Not used	Low-fixed	
27	WAIT	I	Wait control signal detection		
28~30	NC	-	Not used	Low-fixed	
31	RESET	I	Reset detection	H : NORMAL, L : RESET	
32	XT1	I	Not used		
33	XT2	-	Not used		
34	REGC	-			
35	X2	-			
36	X1	I			
37	Vss	-	GND electric potential		
38	VDD	-	5V electric potential		
39	NC	-	NC	Output stopped in standby	3.3V driven
40	WRL	I	Multiplex WRITE signal		3.3V driven
41,42	NC	-	Not used	Low-fixed	3.3V driven
43	RD	O	Multiplex RD signal		3.3V driven
44	ASTB	O	Multiplex ASTB signal		3.3V driven
45	NC	-	Not used	Low-fixed	3.3V driven
46	NC	-	Not used	Low-fixed	3.3V driven
47~54	AD0~AD7	I/O	Multiplex address/data		3.3V driven



## MICROCOMPUTER'S TERMINAL DESCRIPTION

Pin No.	Pin Name	I/O	Application	Processing Operation Description	Remarks
55	BVdd	-	BUS interface power supply		
56	BVss	-	BUS interface GND		
57~61	AB8~AB12	I/O	Multiplex data/address		3.3V driven
62~65	NC	-	Not used	Low-fixed	3.3V driven
66	CS	O	Chip select control	H : OFF, L : ON	3.3V driven
67	DSP RESET	O	DSP reset control	H : NORMAL, L : RESET	3.3V driven
68~70	NC	-	Not used	Low-fixed	3.3V driven
71	Avdd	-			
72	Avss	-			
73	Avref	I	A/D port reference voltage input		
74	NC	-	Not used.	Low-fixed	
75	RAMSEL	I	With DRAM/No DRAM switching for different models	H : With DRAM, L : No DRAM	
76	RZM	I	0bit MUTE detection	H : $\geq 1.7V$ , L : $< 1.7V$	
77	LZM	I	0bit MUTE detection	H : $\geq 1.7V$ , L : $< 1.7V$	
78	AAC	I	AAC compatibility switching	H : AAC non-compatible, L : AAC compatible	AAC non-compatible mode has priority for both hardware and software.
79	ASEL	I	Audio output polarity switching	H : Reverse output, L : Non-reverse output	
80	E2P WR	I	E2PROM write switching	H : E2PROM WRITE, L : NORMAL	
81	TEST I 0	I	TEST MODE I 0	(Not used)	
82	TEST I 1	I	TEST MODE I 1	(Not used)	
83	TEST I 2	I	TEST MODE I 2	(Not used)	
84	TEST I 3	I	TEST MODE I 3	(Not used)	
85,86	NC	-	Not used	Low-fixed	
87	MSTOP	I	Standby restart interruption	H : STOP release, L : STOP	
88	INTSV	I	Interruption from servo IC	H : Interruption	
89~92	NC	-	Not used	Low-fixed	
93	D-MUTE	O	Driver MUTE	H : OFF, L : ON	
94	SYS SDA	I/O	System $\mu$ -com I2C data		Flash write port (SI0)
95	NC	-	Not used	Low-fixed	Flash write port (SO0)
96	SYS SCL	I/O	System $\mu$ -com I2C clock		Flash write port (SCK0)
97~99	NC	-	Not used	Low-fixed	
100	E2P SDA	I/O	ROM correction E2P I2C data		

## TEST MODE

### ● How to enter the test mode

Press and hold the [1] and [3] keys and reset.

### ● How to clear the test mode

Reset, momentary power down, Acc OFF, Power OFF, detach the panel.

### ● Test mode default condition

- Source is STANDBY.
- Display lights are all turned on.
- The volume is at -10dB (The display is 30).
- LOUD is OFF.
- CRSC is off regardless of the availability of switching function.
- SYSTEM Q (dB equalizer) is NATURAL (=FLAT).
- BEEP should always functions when the key is pressed.

### ● Specification of test mode for tuner

- TUNER mode [4] key frequency shall be 98.3MHz.

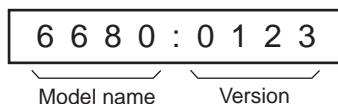
### ● CD receiver test mode specification

- Display mode default setting shall be P-TIME.
- Jumps to the following tracks by pressing the [▶▶] key.  
No. 9 → No. 15 → No. 10 → No. 11 → No. 12 → No. 13 →  
No. 22 → No. 14 → No. 9 (recursive)

Note that when playing an MP3 / WMA / AAC disc with 8 files or less, the disc is played from the 1st track in the normal order.

- Pressing the [◀◀] key goes back by 1 track from the track being played.
- While in CD source, press the [1] key to jump to No. 28.
- While in CD source, press the [2] key to jump to No. 14.
- While in CD source, press the [3] key to display the CD mechanism model name and the version. Press the [3] key again to go back to the normal screen. (Time code display)

MP3 CD mechanism



Normal CD mechanism



- When CD is the source, press the [6] key to jump to No. 15. At this time, the volume value is set to 25.

### ● AUDIO adjust mode

- Press the [AUD] key and enter the audio adjustment mode.
- Press the remote controller [\*] key and [AUD] key to go into the audio adjustment mode.
- Both AUDIO FUNCTION MODE and SETUP MODE adjustment items are included.
- By pressing [AUD] key and then [FM] key, switch the item to be adjusted in the following order.  
The default item shall be Fader, and then the item is forwarded in the following order: Balance → Bass Level → Middle Level → Treble Level (thereafter arbitrary).
- Continuous forwarding by remote controller is prohibited.
- Fader is adjusted by the VOL knob and [◀◀] / [▶▶] keys in 3 steps: R15 ↔ 0 ↔ F15. (Default value: 0)
- Balance is adjusted by the VOL knob and [◀◀] / [▶▶] keys in 3 steps: L15 ↔ 0 ↔ R15. (Default value: 0)
- Bass/Middle/Treble Level are adjusted by the VOL knob and [◀◀] / [▶▶] keys in 3 steps: -8 ↔ 0 ↔ +8. (Default value: 0)
- Volume Offset is adjusted by the VOL knob and [◀◀] / [▶▶] keys in 2 steps: -8 ↔ 0. (Default value: 0)
- Loudness ON/OFF is adjusted by the VOL knob and [◀◀] / [▶▶] keys in 2 steps: OFF ↔ ON. (Default value: OFF)

### ● MENU

- Press the [Q] key to enter the MENU.
- Press the remote controller [DNPP/SBF] key or the [DIRECT] key to enter the MENU.
- Continuous forwarding by remote controller is prohibited.

### ● Backup current measurement

If reset while in Acc OFF (Back Up ON) condition, MUTE terminal goes off 2 seconds later, rather than 15 seconds. (During this time, the CD mechanism does not function.)

### ● Fluorescent tube (ED1) short-checking

- When the source is STANDBY, press the [ATT] key to switch the process in the following order.
  1. All lights off.
  2. Every 125msec, light the odd and even number of the grid with the largest numbers.
  3. Light only odd number terminals.
  4. Light only even number terminals.
  5. All lights on.
- \* After the step 5 above, the process goes back to the step 1 and then repeats the steps.

### ● Initializing AUDIO-related setting value

Press the [▶▶] key in the STANDBY source and reset the AUDIO setting value to the test mode default value.

# TEST MODE

## ● Other

- When started in Test Mode, duration of prohibiting LINE MUTE shall be changed from 10 seconds to 1 second.
- When in Test Mode, when DC offset error detection is run, the detection information is not written into the E2PROM.

## ● Special displays while all lights are on

When all lights are on with STANDBY source, if the following keys are pressed, the following messages are displayed.

[1] key	Version is displayed (forwarding) (Display) TYPE : x _ _ _ ("x" is displayed in hexadecimal) → 558K – 2.05 ("development ID" – "version") → all lights on → * TYPE indicates μ-com destination, and shows real-time condition of the destination terminal.
[2] key	All lights ON.
[3] key	Key pressed: Power ON time is displayed. While Power ON time is displayed, press and hold for 2 seconds or longer to clear the Power ON time. (Display) PON_0Hxx (00~50 is displayed for "xx") xxxxx (00001~10922 is displayed for "xxxxx") MAX 10922 (hours)
[4] key	Key pressed: CD operation time is displayed. Press the key for more than 2 seconds while the CD operation time is displayed to clear CD operation time. (Display) CDT_0Hxx (00~50 is displayed for "xx") xxxxx (00001~10922 is displayed for "xxxxx") MAX 10922 (hours)
[5] key	Key pressed: Number of CD EJECT time is displayed. While the CD EJECT times is displayed, press and hold for 2 seconds or longer to clear the CD EJECT time. (Display) EJCxxxxx MAX 65535 (times)
[6] key	Key pressed: Number of times PANEL is opened/closed is displayed. Press the key for more than 2 seconds while the PANEL open/close count is displayed to clear the PANEL open/close count. (Display) PC_xxxxxx MAX 65535 (times)
[FM] key	ROM correction version is displayed (Display) ROM_R123 ROM_R _ _ _ (When not written in) ROM_R * * * (When data not matching)

[AM] key	IC10 adjustment status "E2P_OK": Adjustment completed "E2P_ER": E2PROM values are still default (not determined) "I2C_ER" : Communication not possible between IC10 and E2PROM. * If "E2P_OK", Pin 60 (TUN FANC OUT) should be output as "H".
[▶▶] key	AUDIO data initialization (Display) AUD_INIT
[◀◀] key	Key pressed: Forced Power OFF data displayed. While the forced power OFF data is displayed, press and hold for 2 seconds or longer to clear the data. (Display) POF _ _ _ _ (No Forced Power OFF) PNL (Forced Power OFF because of system μ-com panel communication error)
[▶ ] key	Key pressed: CD information display mode ON/OFF While in CD information display mode, press and hold for 2 seconds or longer to clear all CD information. * Please refer to the next table.

## CD information display mode

	I2C communication condition display (Display) I2C_OK_ _ NG
[AM] key ↑	CD mechanism error log display (switched by [◀◀] / [▶▶] keys) (Display) MCERR1_ : x x ↔ MCERR2_ : x x ↔ MCERR3_ : x x ↔ MCERR1_ : x x ↔ ("–" or the error code is displayed for "xx")
	CD loading error log display (switched by [◀◀] / [▶▶] keys) (Display) LDERR1_ : x x ↔ LDERR2_ : x x ↔ LDERR1_ : x x ↔ (Number of times is displayed for "xxx")
	CD ejection error log display (switched by [◀◀] / [▶▶] keys) (Display) EJERR1_ : x x ↔ EJERR2_ : x x ↔ EJERR3_ : x x ↔ EJERR4_ : x x ↔ EJERR1_ : x x ↔ (Number of times is displayed for "xxx")
	CD time code error count data display (missing counts) (switched by [◀◀] / [▶▶] keys) (Display) CNT_LOSE ↔ CDDA_xxx ↔ CDR0Mxxx ↔ CNT_LOSE ↔ (Number of times is displayed for "xxx")
[FM] key ↓	CD time code error count data display (count not updated) (switched by [◀◀] / [▶▶] keys) (Display) CNT_STAY ↔ CDDA_xxx ↔ CDR0Mxxx ↔ CNT_STAY ↔ (Number of times is displayed for "xxx")

## TEST MODE

### ● Clearing CD mechanism information and service information (Clearing E2PROM data)

- While pressing the [Q] key and [ATT] key, reset-start to start CD mechanism and service information initialization.  
[CD mechanism information]
  - Displays I2C communication condition
  - Displays CD mechanism error log
  - Displays CD loading error data.
  - Displays CD ejection error data
  - Displays CD time code error count data (missing count)
  - Displays CD time code error count data (count not updated)
[Service information]
  - Displays power ON time is displayed
  - Displays CD operation time
  - Displays number of CD EJECT times
  - Displays number of times panel was opened/closed
  - Displays forced Power OFF data
- After the initialization process is completed, the following is displayed.  
Normal termination : "CD\_O\_ \_ \_"  
Abnormal termination : "CD\_X\_ \_ \_"
- This mode is cancelled by resetting. (The last screen will not be retained.)

### ● Clearing DC offset error detection data (E2PROM data clearing)

If DC voltage difference (DC offset error) is detected between audio power amplifier (power IC)  $\pm$  outputs, "DC\_ERR\_ \_" is displayed on the display. When this occurs, the audio is forced-mute and the display displays only "DC\_ERR\_ \_".

Once this product detected a DC offset error, even if it is restarted (or reset), its display displays "DC\_ERR\_ \_".

However, if the error is detected while in Test Mode, it is not saved in E2PROM.

- Press and hold [3] and [6] keys and reset-start to go into the DC offset error display mode.
- While in STANDBY source, the current DC offset error condition is displayed.  
When detected : "DC\_ERR\_ \_"  
When not detected: "DC\_OK\_ \_ \_"
- While error condition is being displayed, press [AUTO] / [TI] key to clear the detection data. (Clear E2PROM)
- DC offset error display mode is cancelled by resetting. (The last screen will not be retained.)

### ● FM/AM channel space switching

While power is OFF, press and hold [1] and [5] keys, and press [SRC] key to power ON.

### ● IC10 (X34-) Stereo adjustment (VCO adjustment)

While in test mode and all lights are lit (STANDBY), press and hold [1] key and press [6] key for 3 seconds or longer. (Adjusted data will be written on E2PROM.)

### ● Settings for OEM

Use pin 2 on the  $\mu$ -com terminal to support OEM models.

TUN TYPE1 (Pin 76)	TUN TYPE2 (Pin 77)	Description
Low	Low	① KENWOOD brand model
High	Low	② KENWOOD brand model (with CRSC changed)
Low	High	③ OEM model (with CRSC changed)
High	High	④ OEM model (CRSC & de-emphasis changed)

# ADJUSTMENT

## 1. IC10 (X34-) -The Tuner adjustment method

- When IC10 and its circumference are repaired, according to the following order, it readjusts if needed.
- The adjustment item changes with parts to exchange. Please refer to "Parts vs Adjustment item table".

### 1-1. VCO coil adjustment - adjustment of tuning voltage

Voltage Check Point : Vt-Check Land  
(PWB Side B, around D506)

Adjustment Coil : L507 (VCO Coil)

The adjustment method : VCO coil is turned and adjusted according to the following tables.

Mode	freq.	Voltage	Fig.
AM	1700kHz	5.8 ± 0.1(V)	2, 3 (C)

M : AM Adjustment

For Your Information : The frequency of this unit is only set up by preset key in case this adjustment

### 1-2. Adjustment of 1st & 2nd-MIX coil

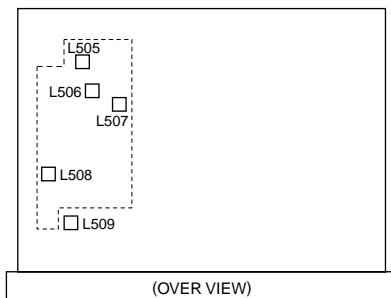
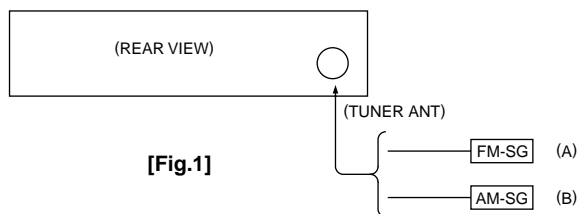
Voltage Check Point : S-METER-Check Land  
(PWB Side B, around R216)

Adjustment Coil : 1st IFT=L508 / 2nd IFT=L509

Setting of Signal Generator : Refer to the following tables

Mode	freq.	Mod.	ANT Input	Fig.
AM	1000kHz	OFF	35dBμEMF	1~3 (B),(C)

- ① The appearance and the coil with which S-METER DC voltage serves as the maximum are turned and adjusted in the above-mentioned SG input.
- ② By the above-mentioned adjustment method, same adjustment is performed to both sides (1st & 2nd MIX Coil).



[Fig.2]

### 1-3. Adjustment of FM ANT & RF coil

Voltage Check Point : S-METER-Check Land  
(PWB Side B, around R216)

Adjustment Coil : ANT Coil = L505  
RF Coil = L506

Setting of Signal Generator : Refer to the following tables

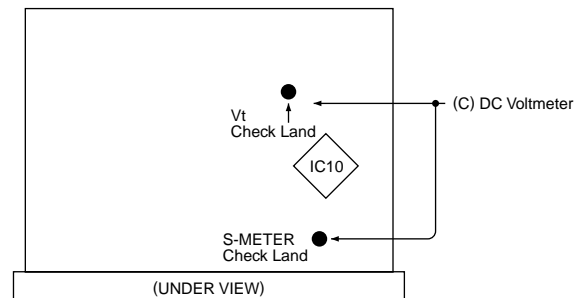
Mode	freq.	Mod.	ANT Input	Fig.
FM	87.9MHz	OFF	5 or 11dBμEMF	1~3 (A),(C)

- ① The appearance and the coil with which S-METER DC voltage serves as the maximum are turned and adjusted in the above-mentioned SG input.
- ② By the above-mentioned adjustment method, same adjustment is performed to both sides (ANT & RF Coil).

### 1-4. Adjustment of STEREO (adjustment of 456k-VCO)

Adjust in TEST MODE

- How to enter the test mode  
Refer to "TEST MODE".
- Adjustment method  
While in test mode and all lights are lit (STANDBY), press and hold [1] key and press [6] key for 3 seconds or longer. (Adjusted data will be written on E2PROM.)  
Effect of adjustment is in cofirmation of adjustment status at Preset [AM] key.
- Display of Preset [AM]  
Adjustment OK: "E2P OK" (14-segment display model)  
Adjustment NG: "E2P ERR" (14-segment display model)
- How to clear the test mode  
Refer to "TEST MODE".



[Fig.3]

## ADJUSTMENT

### 2. IC10 (X34-) Replacement - Parts vs Adjustment Item Table

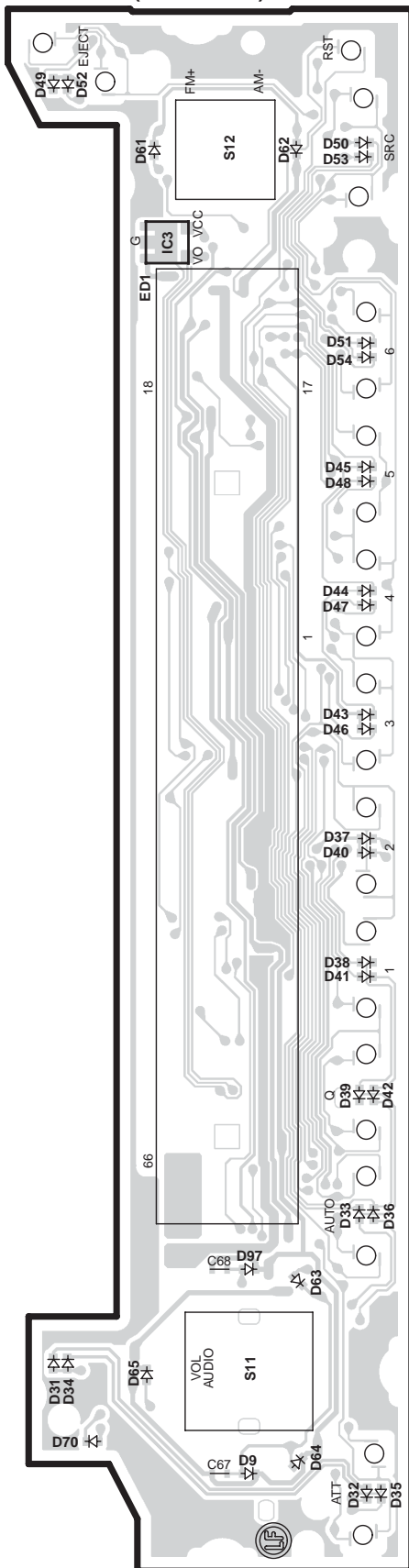
- When the parts in the following tables are exchanged, please readjust according to a table.
- When other parts are exchanged, please perform only a check of operation. There is no necessity for readjustment.

Replacement parts		Adjustment Item					
Ref. Number	Parts Name	VCOvt	1st MIX	2nd MIX	ANT Coil	RF Coil	Stereo
IC10	E-VOL & Tuner	YES	YES	YES	YES	YES	YES
IC11	E2PROM	YES	YES	YES	YES	YES	YES
L505	Antenna Coil				YES		
L506	RF Coil					YES	
L507	VCO Coil	YES	YES	YES	YES	YES	
L508	1st MIX Coil		YES				
L509	2nd MIX Coil			YES			
D504	Variable Capacitance Diode	YES	YES	YES	YES	YES	
D505	Variable Capacitance Diode	YES	YES	YES	YES	YES	
D506	Variable Capacitance Diode	YES	YES	YES	YES	YES	
X501	X'tal						

• The " YES " mark shows that the adjustment is need.

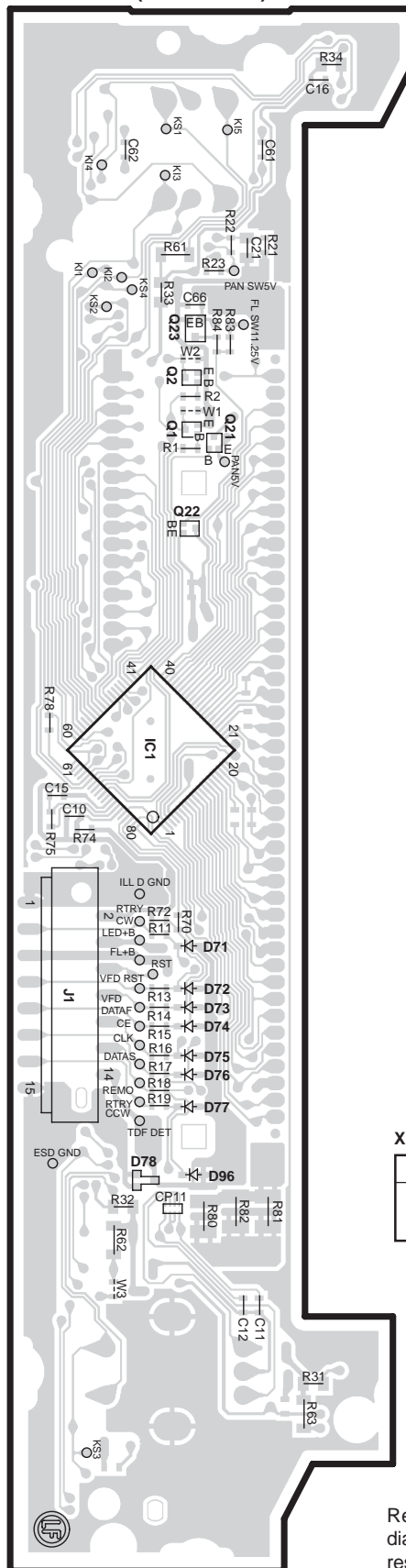
# PC BOARD (COMPONENT SIDE VIEW)

SWITCH UNIT  
X16-381x-xx (J76-0166-12)



# (FOIL SIDE VIEW)

SWITCH UNIT  
X16-381x-xx (J76-0166-12)



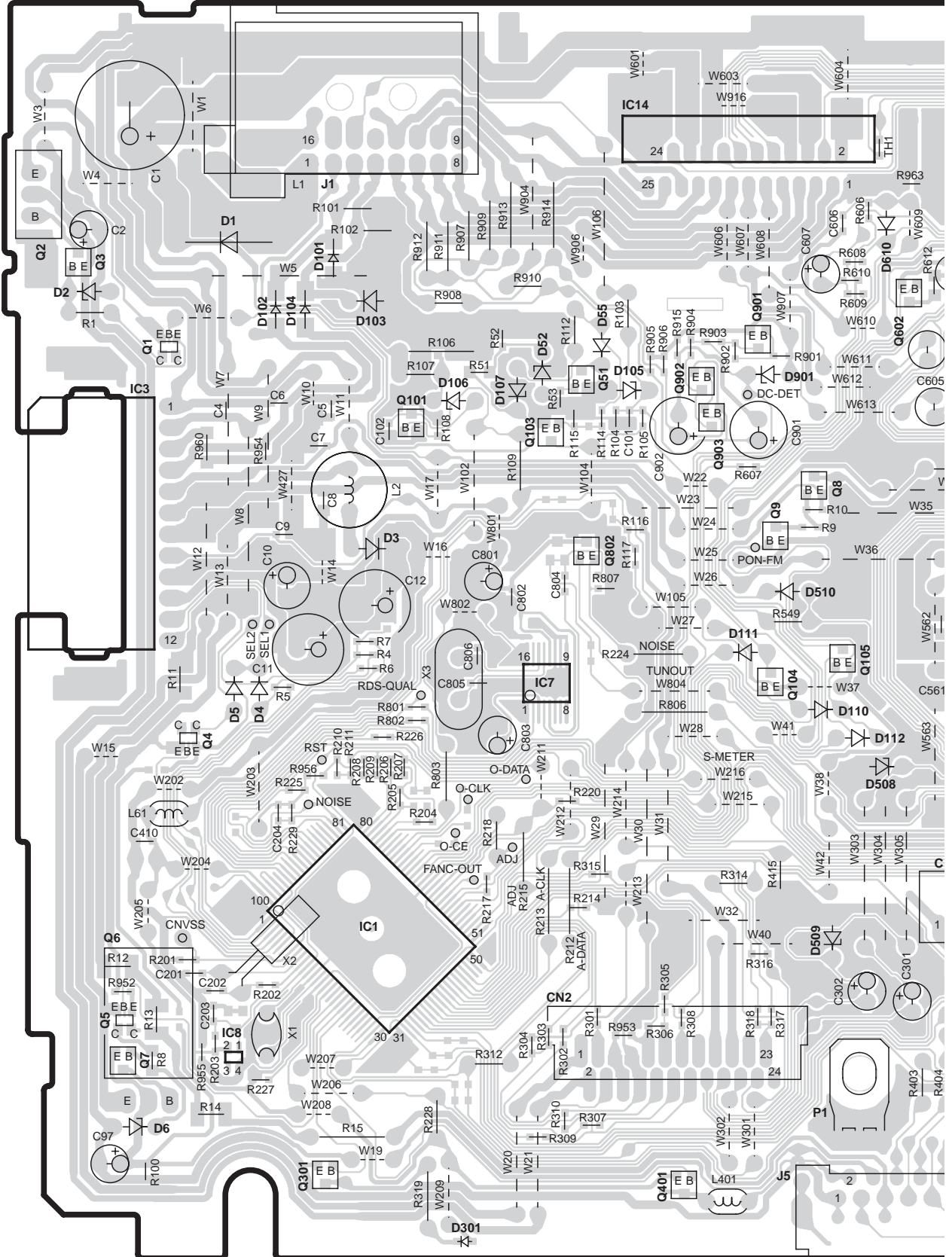
X16-381x-xx

Ref. No.	Address
IC1	4C
Q21	3D

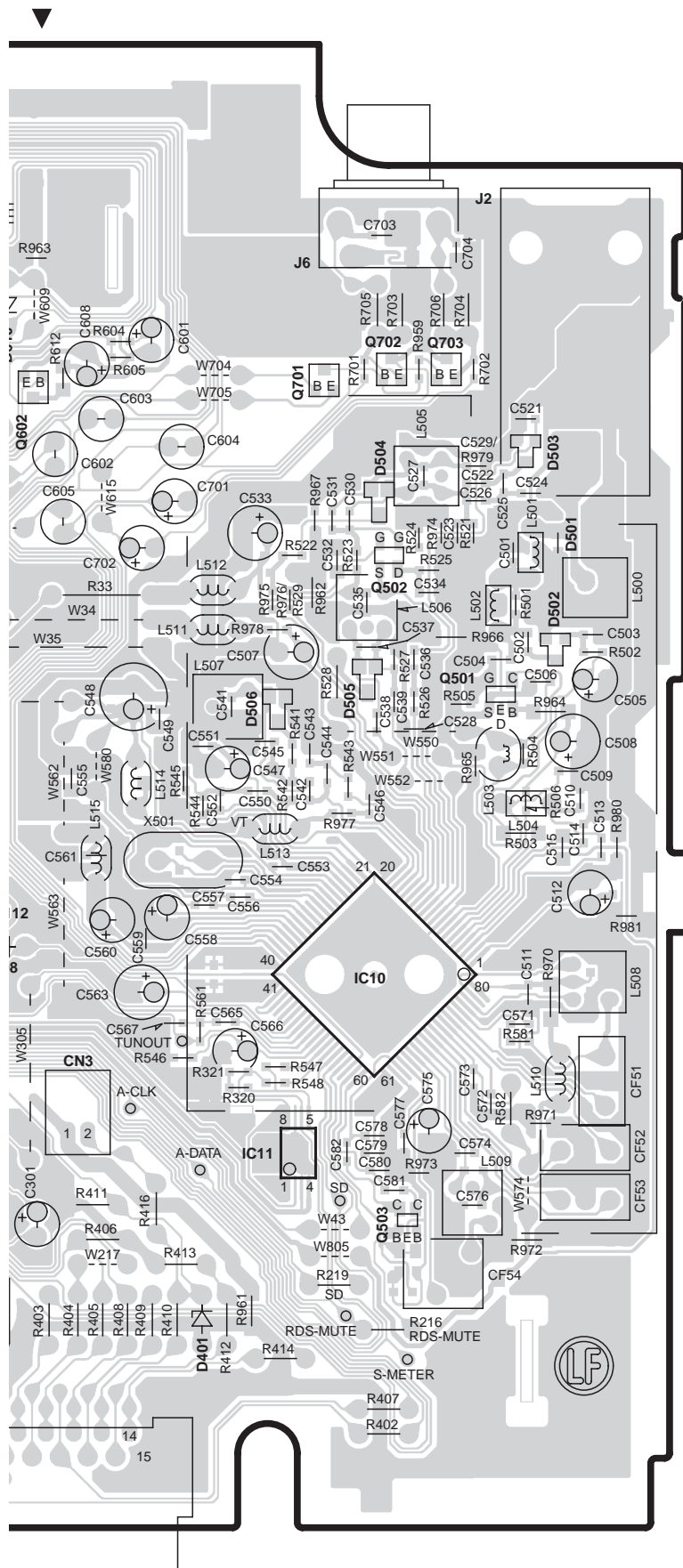
Refer to the schematic diagram for the values of resistors and capacitors.

# PC BOARD (FOIL SIDE VIEW)

ELECTRIC UNIT X34-4570-10 (J76-0167-12)







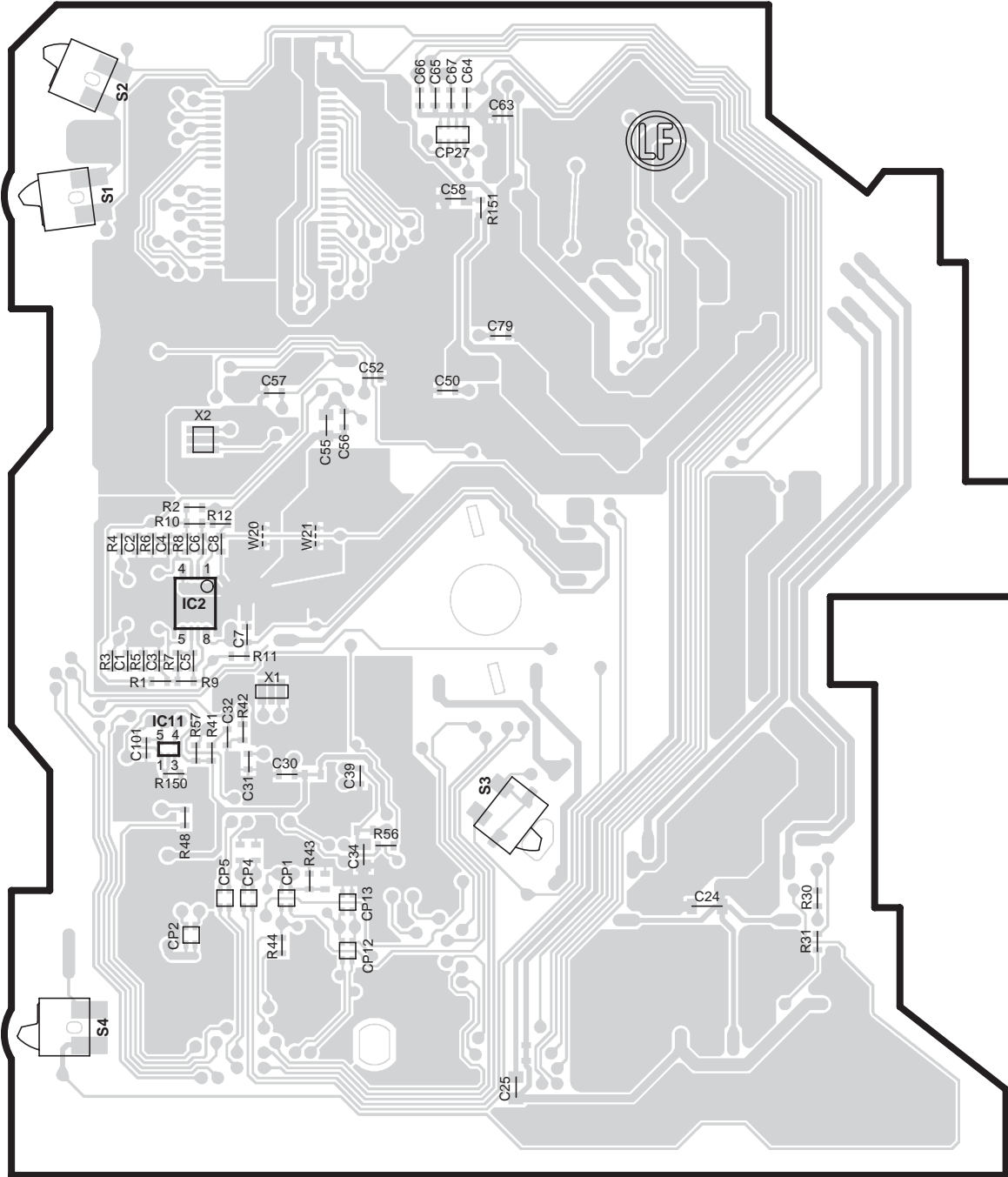
X34-4570-10

Ref. No.	Address
IC1	5H
IC3	3G
IC8	6G
IC10	5L
IC11	6K
IC14	2I
Q1	3G
Q2	2F
Q3	3G
Q5	6G
Q6	6G
Q7	6G
Q8	4J
Q9	4J
Q51	3I
Q101	3H
Q103	3I
Q104	4J
Q105	4J
Q301	7H
Q401	7I
Q501	4L
Q502	3L
Q701	3L
Q702	3L
Q703	3L
Q901	3J
Q902	3I
Q903	3I

Refer to the schematic diagram for the values of resistors and capacitors.

# PC BOARD (COMPONENT SIDE VIEW)

CD PLAYER UNIT X32-5860-00 (J76-0212-02)



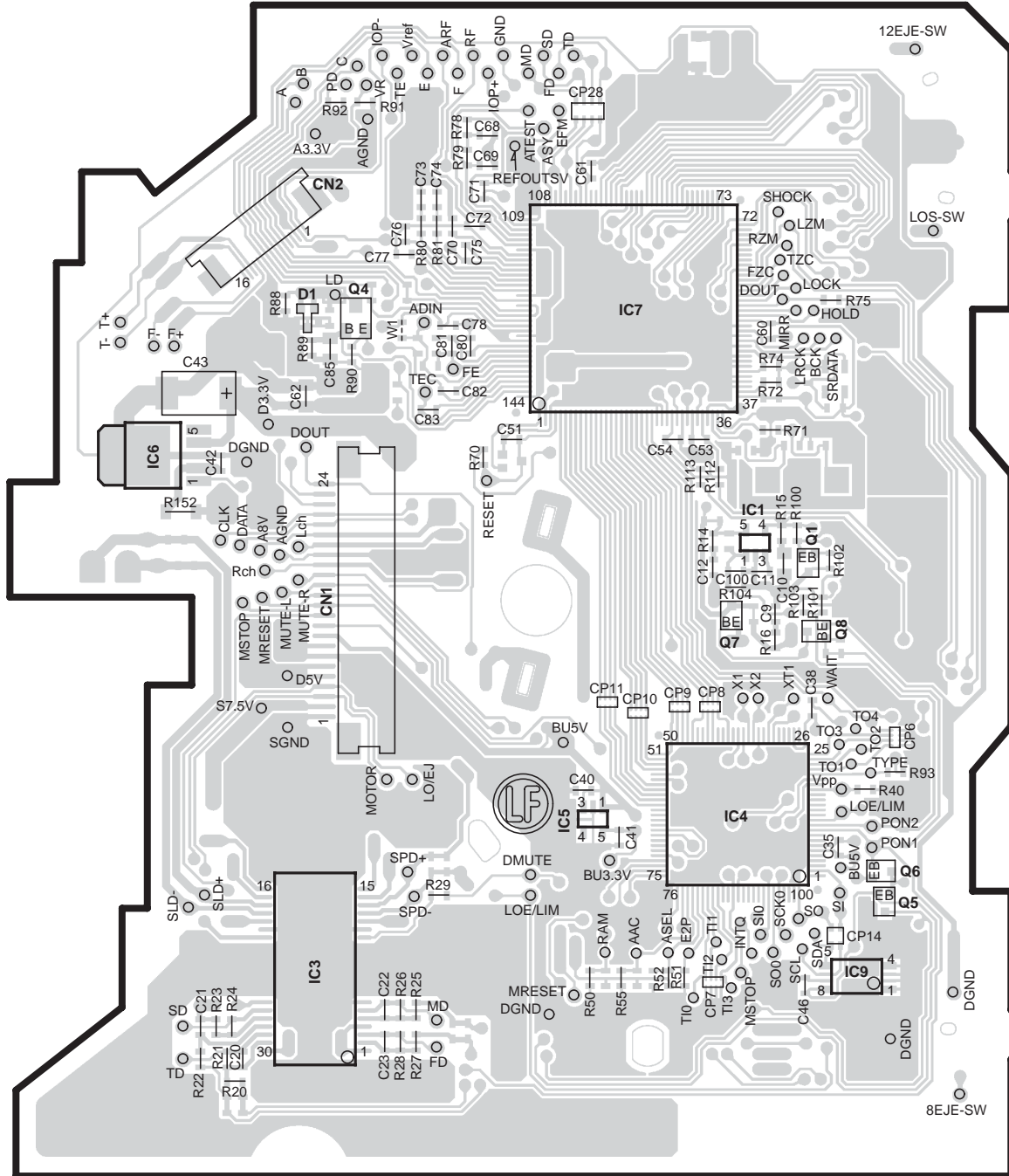
X32-5860-00

Ref. No.	Address
IC2	4Q
IC11	4Q

Refer to the schematic diagram for the values of resistors and capacitors.

## PC BOARD (FOIL SIDE VIEW)

## CD PLAYER UNIT X32-5860-00 (J76-0212-02)



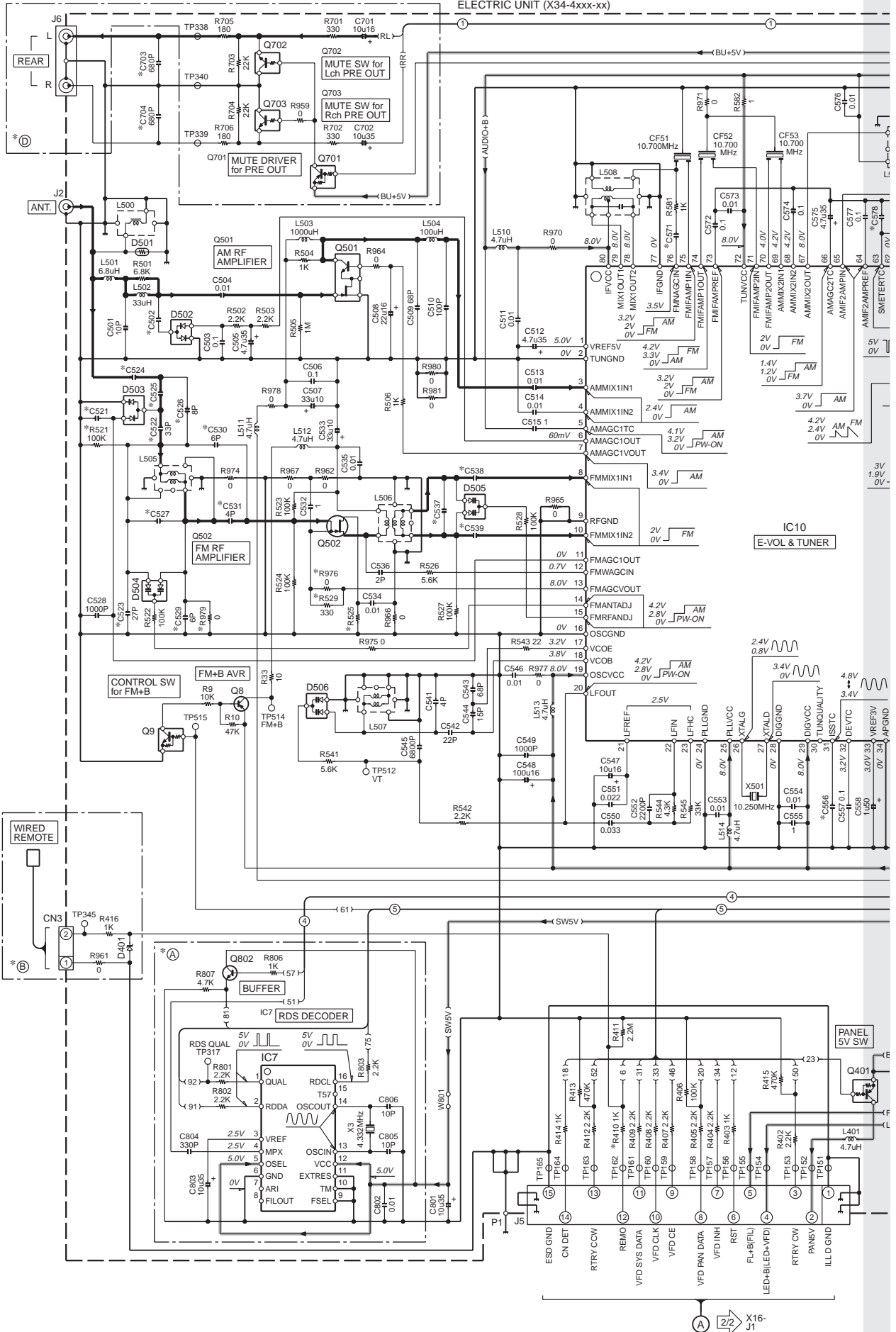
## X32-5860-00

Ref. No.	Address	Ref. No.	Address
IC1	3X	Q1	3X
IC3	5V	Q4	2V
IC4	4X	Q5	5X
IC5	4W	Q6	5X
IC6	3U	Q7	4X
IC7	3W	Q8	4X
IC9	5X		

Refer to the schematic diagram for the values of resistors and capacitors.

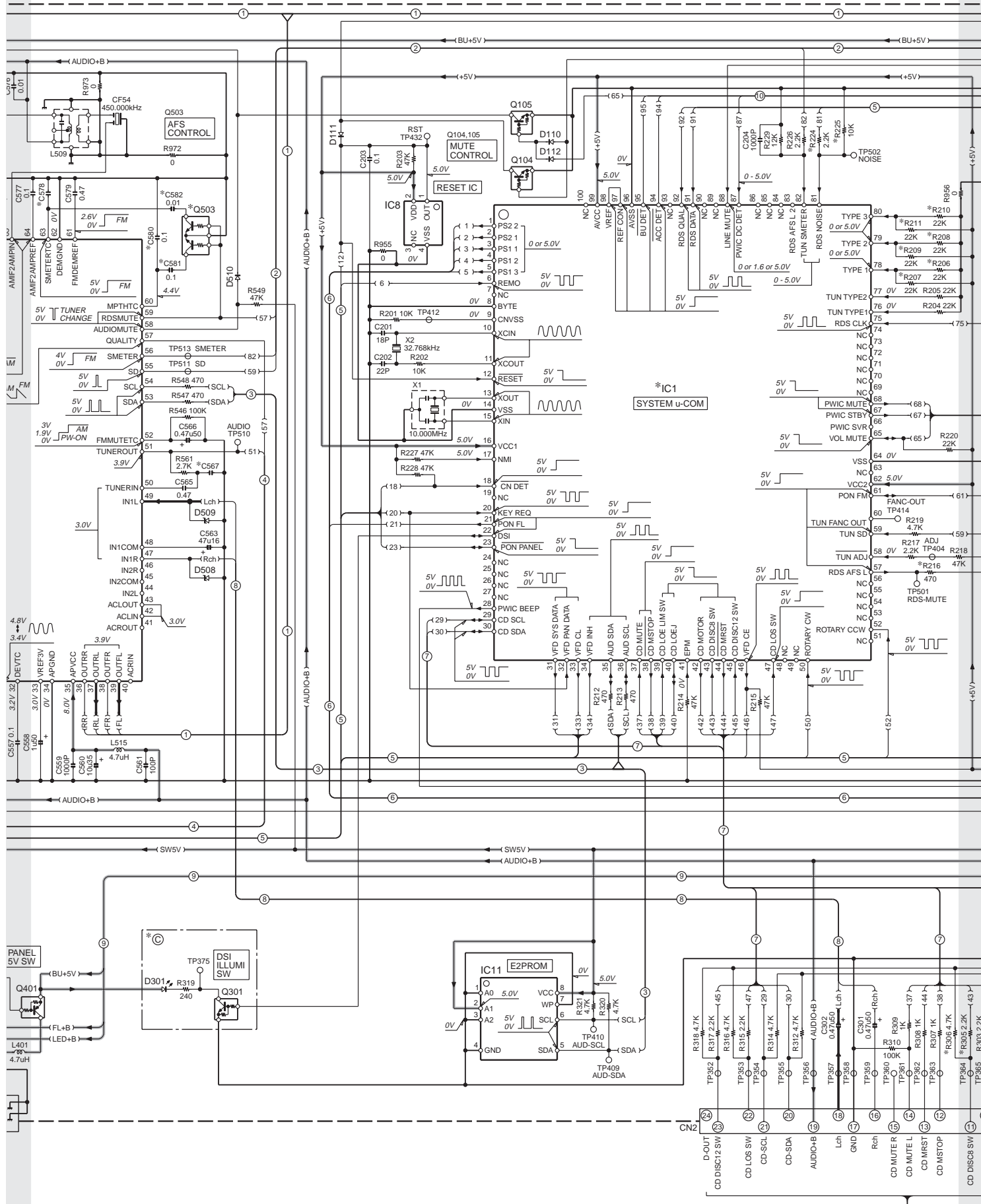
CKDC-MP576  
CKDC-MP676F/MP676V

ELECTRIC UNIT (X34-4xxx-xx)



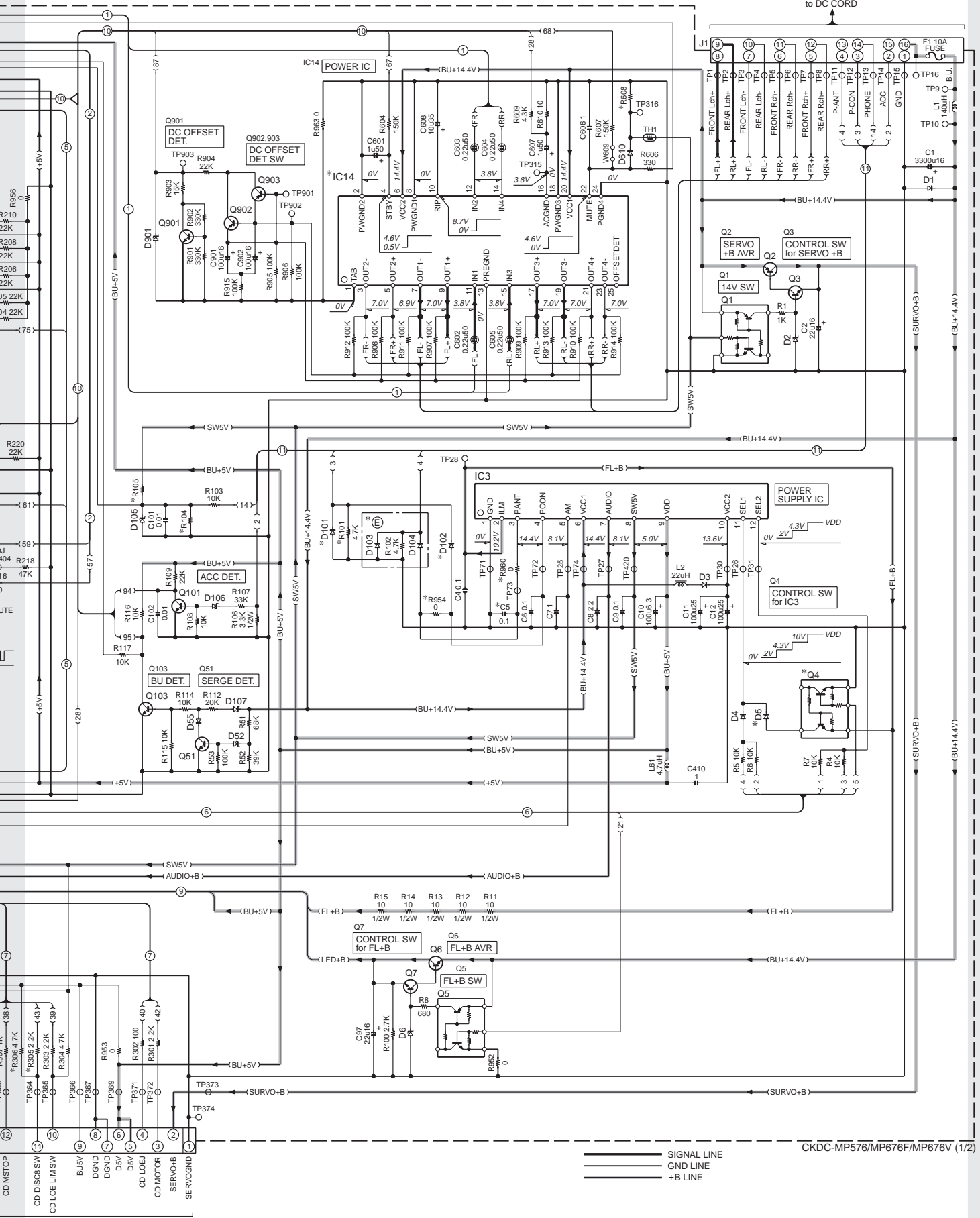
A 2/2 X16-J1

# CKDC-MP576 CKDC-MP676F/MP676V



to MECHANISM ASS'Y

# CKDC-MP576 CKDC-MP676F/MP676V



CKDC-MP576/MP676F/MP676V (1/2)

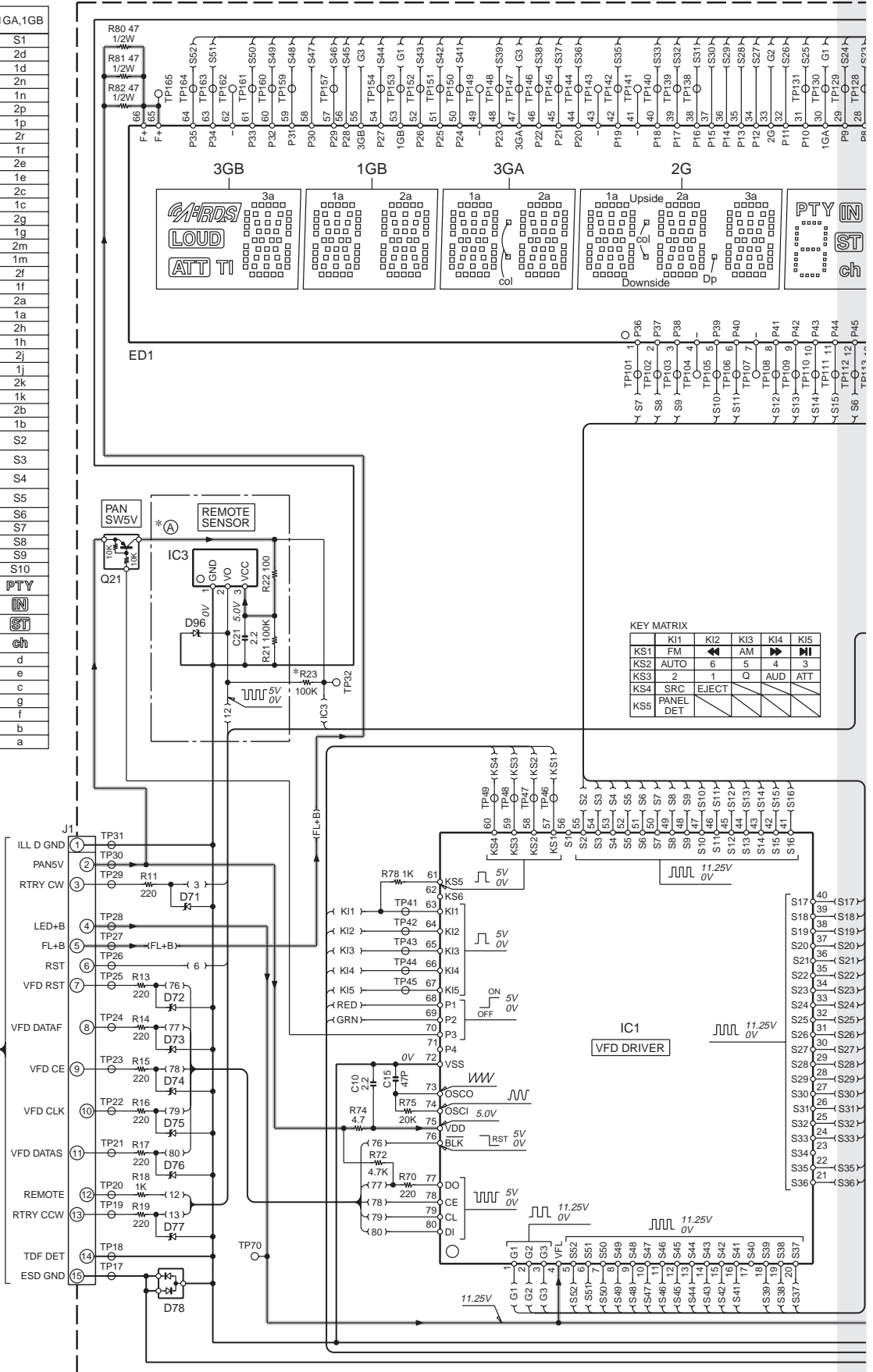


# CKDC-MP576 CKDC-MP676F/MP676V

## ANODE CONNECTION

PIN NAME	3GA,3GB	2G	1GA,1GB
P1	—	col (Downside)	S1
P2	2d	2d	2d
P3	1d	1d	1d
P4	2n	2n	2n
P5	1n	1n	1n
P6	2p	2p	2p
P7	1p	1p	1p
P8	2r	2r	2r
P9	1r	1r	1r
P10	2e	2e	2e
P11	1e	1e	1e
P12	2c	2c	2c
P13	1c	1c	1c
P14	2g	2g	2g
P15	1g	1g	1g
P16	2m	2m	2m
P17	1m	1m	1m
P18	2f	2f	2f
P19	1f	1f	1f
P20	2a	2a	2a
P21	1a	1a	1a
P22	2h	2h	2h
P23	1h	1h	1h
P24	2j	2j	2j
P25	1j	1j	1j
P26	2k	2k	2k
P27	1k	1k	1k
P28	2b	2b	2b
P29	1b	1b	1b
P30	3GB	col (Upside)	S2
P31	1GB	—	S3
P32	3GA	—	S4
P33	2G	—	S5
P34	—	—	S6
P35	col	Dp	S7
P36	3d	3d	S8
P37	3n	3n	S9
P38	3p	3p	S10
P39	3r	3r	PTY
P40	3e	3e	IN
P41	3c	3c	ST
P42	3g	3g	ch
P43	3m	3m	d
P44	3f	3f	e
P45	3b	3b	c
P46	3k	3k	g
P47	3j	3j	f
P48	3h	3h	b
P49	3a	3a	a

## SWITCH UNIT (X16-3xxx-xx)

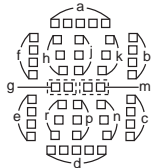


### KEY MATRIX

	KI1	KI2	KI3	KI4	KI5
KS1	FM	◀	AM	▶	▶▶
KS2	AUTO	6	3	4	3
KS3	2	1	Q	AUD	ATT
KS4	SRC	EJECT			
KS5	PANEL				
KS6	DET				



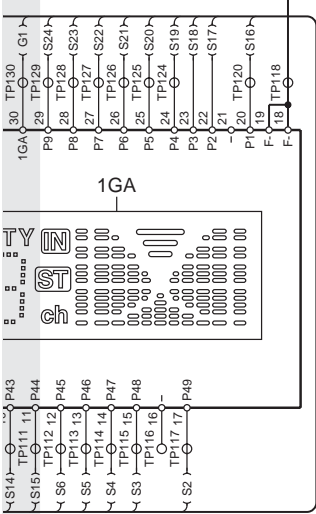
# CKDC-MP576 CKDC-MP676F/MP676V



(3GB/1GB/3GA/2G)

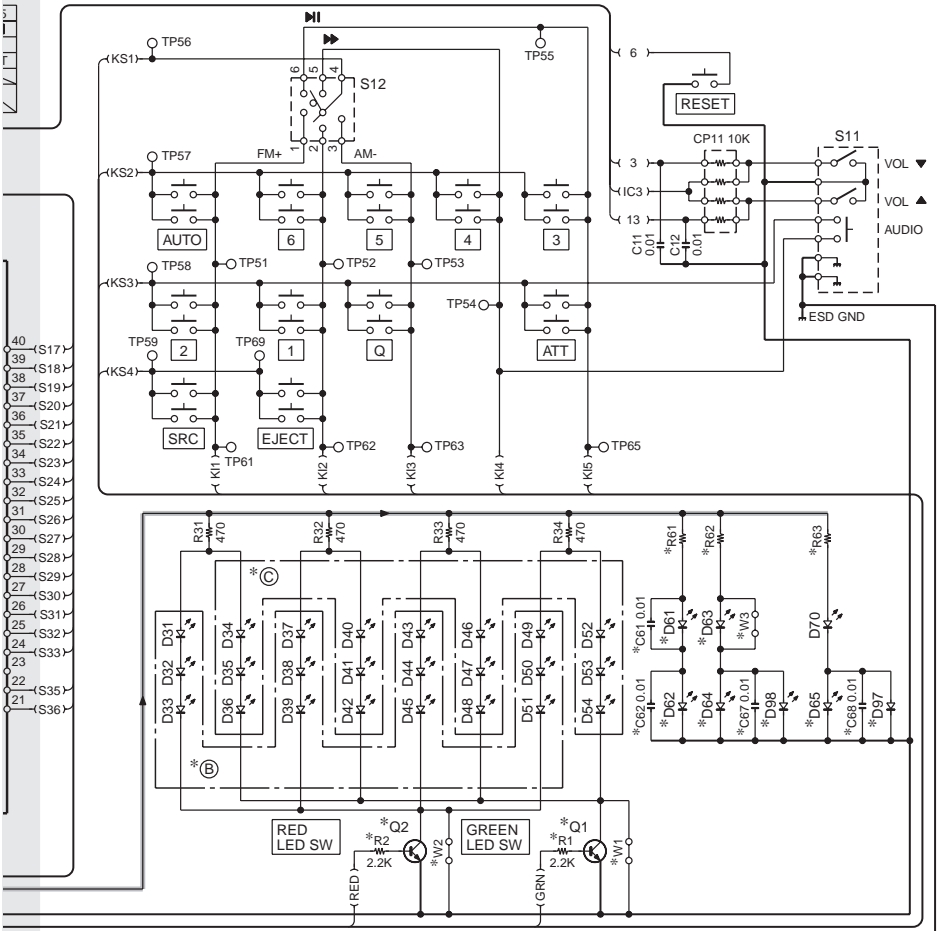


(1GA)



MODEL NAME	DESTINATION	UNIT No.	(A)	(B)	(C)	C61,62,67,68	D61,62	D63-65	D97,98	Q1,2	R1,2	R23	R61	R62	R63	W1	W2	W3	
E212/S	JJ1	X16-3500-01	-	-	B30-1575-05	YES	B30-1729-05	-	B30-1729-05	-	-	YES	300	680	470	YES	-	YES	
E313S	J2	X16-3500-11	-	B30-1567-05	-	YES	B30-1729-05	-	B30-1729-05	-	-	YES	300	680	470	-	YES	YES	
KDC-232MR	K2	X16-3500-11	-	B30-1567-05	-	YES	B30-1729-05	-	B30-1729-05	-	-	YES	680	820	680	-	YES	YES	
KDC-MP202	K1	X16-3502-72	-	B30-1567-05	-	-	-	-	B30-1567-05	-	-	-	YES	680	820	680	-	YES	YES
KDC-MP2032	K	X16-3500-10	YES	B30-1567-05	-	YES	B30-1729-05	-	B30-1729-05	-	-	-	-	300	680	470	-	YES	YES
KDC-MP2032CR	K2	X16-3500-21	YES	-	B30-1533-05	-	B30-1533-05	YES	-	-	-	-	-	620	620	680	YES	-	-
KDC-MP232	K1	X16-3500-10	YES	B30-1567-05	-	YES	B30-1729-05	-	B30-1729-05	-	-	-	-	300	680	470	-	YES	YES
KDC-MP333/RC	M1/M3	X16-3500-21	YES	-	B30-1533-05	-	B30-1533-05	YES	-	-	-	-	-	620	620	680	YES	-	-
KDC-MP4033/S	M1/M2	X16-3500-22	YES	-	B30-1533-05	YES	B30-1729-05	-	B30-1729-05	-	-	-	-	300	680	470	YES	-	YES
KDC-MP433	M2	X16-3500-21	YES	-	B30-1533-05	-	B30-1533-05	YES	-	-	-	-	-	620	620	680	YES	-	-
KDC-MP4533	M3	X16-3500-22	YES	-	B30-1533-05	YES	B30-1729-05	-	B30-1729-05	-	-	-	-	300	680	470	YES	-	YES
KDC-3034A/AY	E2/E4	X16-3502-72	-	B30-1567-05	-	-	B30-1567-05	-	B30-1567-05	-	-	-	YES	680	820	680	-	YES	YES
KDC-3034G/GY	E3/E5	X16-3502-73	-	-	B30-1533-05	-	B30-1533-05	YES	-	-	-	-	YES	620	620	680	YES	-	-
KDC-W40GY	E9	X16-3502-73	-	-	B30-1533-05	-	B30-1533-05	YES	-	-	-	-	YES	620	620	680	YES	-	-
KDC-W4034A/AY	E/E2	X16-3502-72	-	B30-1567-05	-	-	B30-1567-05	-	B30-1567-05	-	-	-	YES	680	820	680	-	YES	YES
KDC-W4034G/GY	E1/E3	X16-3502-73	-	-	B30-1533-05	-	B30-1533-05	YES	-	-	-	-	YES	620	620	680	YES	-	-
KDC-W410A/AY	E4/E6	X16-3502-72	-	B30-1567-05	-	-	B30-1567-05	-	B30-1567-05	-	-	-	YES	680	820	680	-	YES	YES
KDC-W410G/GY	E5/E7	X16-3502-73	-	-	B30-1533-05	-	B30-1533-05	YES	-	-	-	-	YES	620	620	680	YES	-	-
KDC-W434A	E6	X16-3502-73	-	B30-1567-05	-	-	B30-1567-05	-	B30-1567-05	-	-	-	YES	680	820	680	-	YES	YES
KDC-W434G/GY	E7/E8	X16-3502-73	-	-	B30-1533-05	-	B30-1533-05	YES	-	-	-	-	YES	620	620	680	YES	-	-
KDC-W4534/Y	E1/E2	X16-3502-71	-	B30-1567-05	B30-1533-05	YES	B30-1729-05	-	B30-1729-05	YES	YES	YES	YES	300	680	470	-	YES	YES
CKDC-MP576	VISTEON	X16-3810-10	-	B30-1567-05	-	YES	B30-1729-05	-	B30-1729-05	-	-	-	-	300	680	470	-	YES	YES
CKDC-MP676F	VISTEON	X16-3810-12	-	-	B30-1533-05	-	B30-1533-05	YES	-	-	-	-	YES	620	620	680	YES	-	-
CKDC-MP676G	VISTEON	X16-3810-11	-	-	B30-1534-05	-	B30-1534-05	-	B30-1534-05	-	-	-	YES	680	820	680	-	YES	YES
CKDC-MP676V	VISTEON	X16-3810-13	-	B30-1567-05	-	-	B30-1567-05	-	B30-1567-05	-	-	-	YES	680	820	680	-	YES	YES
CKDC-MP678	VISTEON	X16-3810-14	YES	B30-1567-05	-	-	B30-1567-05	-	B30-1567-05	-	-	-	YES	680	820	680	-	YES	YES

- ED1 : HNR-03SS09T      D31-33,37-39,43-45,49-51,70
- IC1 : LC75756W            D34-36,40-42,46-48,52-54
- IC3 : PNA4S22M02KW      :
- Q1,2 : 2SC5383(E,F)        D61-65 : \*
- Q21 : RT1P141U            D71-77 : UDZS5.6B
- D78 : DA204U
- D96 : UDZS5.6B
- D97,98 : \*



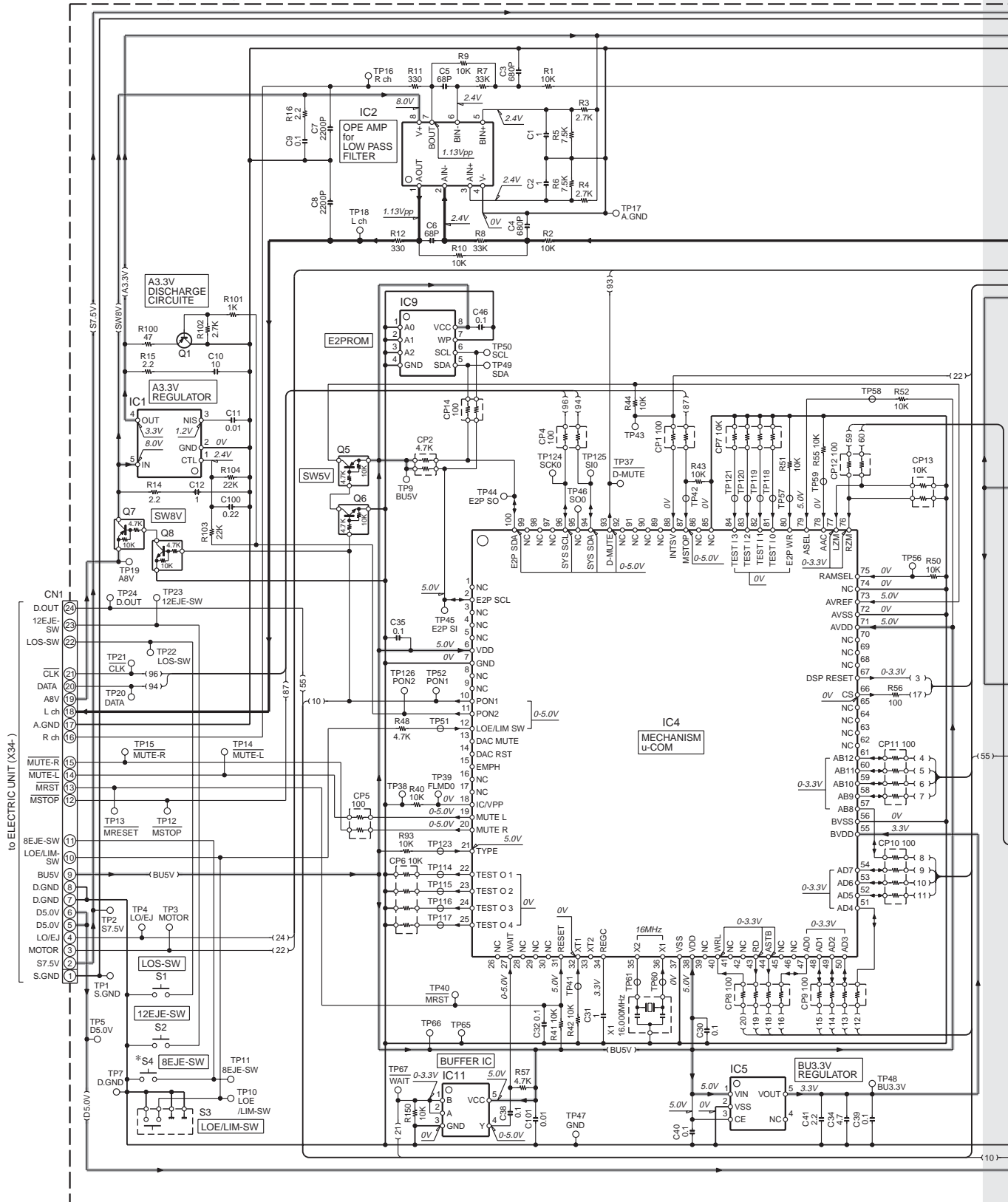
**CAUTION :** For continued safety, replace safety critical components only with manufacturer's recommended parts (refer to parts list).  
 ⚠ Indicates safety critical components. To reduce the risk of electric shock, leakage-current or resistance measurements shall be carried out (exposed parts are acceptably insulated from the supply circuit) before the appliance is returned to the customer.

- DC voltages are as measured with a high impedance voltmeter. Values may vary slightly due to variations between individual instruments or/and units.

AE AF AG AH AI  
**CKDC-MP576**  
**CKDC-MP676F/MP676V**

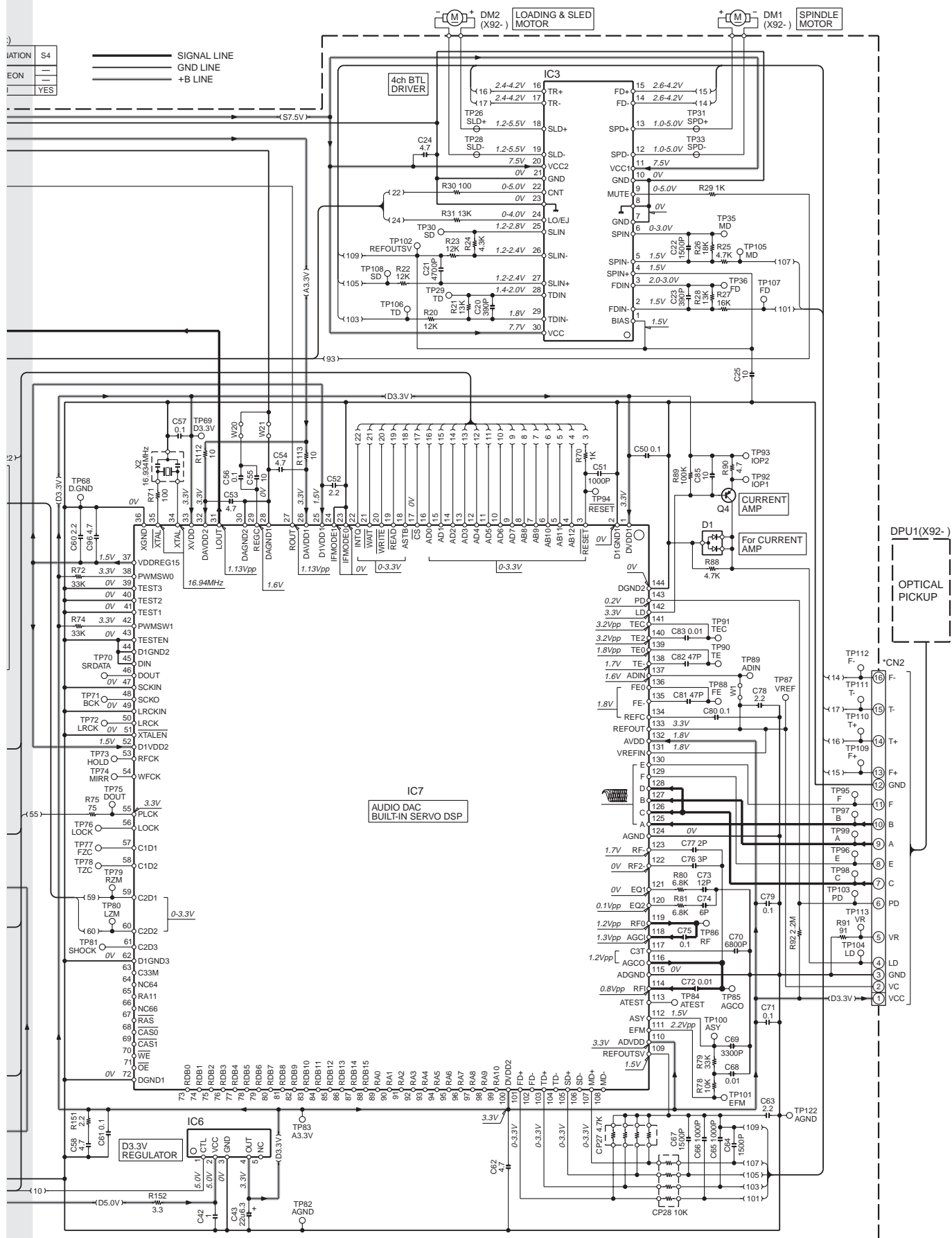
IC1 : TAR5S33-F	IC7 : UPD63763CGJ	D1 : DAP202U	(X32-586x-xx)
IC2 : NJM4580V-ZB	IC9 : BR24L02FV-W	Q1 : 2SA1576A	UNIT No.
IC3 : BA5824FP	IC11 : TC7SET32FU-F	Q4 : 2SB0970	DESTINATION
IC4 : 703030BYGCJ21A		Q5,7 : DTA143XUA	0-00
IC5 : XC6219B332MR		Q6,8 : DTC143XUA	0-02
IC6 : BA33BC0WFP			0-01
			J
			YES

CD PLAYER UNIT (X32-5860-0x)



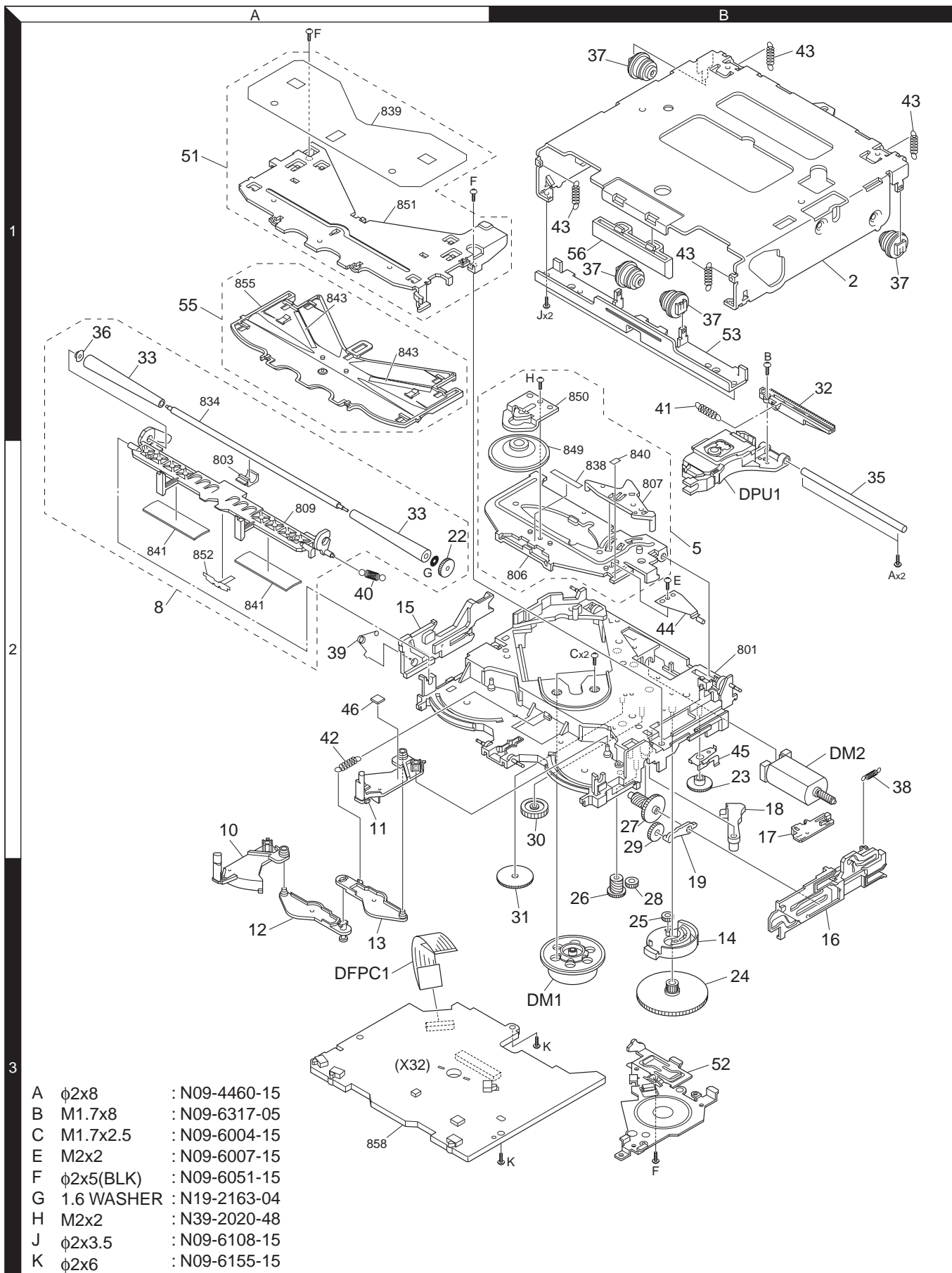
**CAUTION :** For continued safety, replace safety critical components only with manufacturer's recommended parts (refer to parts list).  
 ⚠ Indicates safety critical components. To reduce the risk of electric shock, leakage-current or resistance measurements shall be carried out (exposed parts are acceptably insulated from the supply circuit) before the appliance is returned to the customer.

# CKDC-MP576 CKDC-MP676F/MP676V



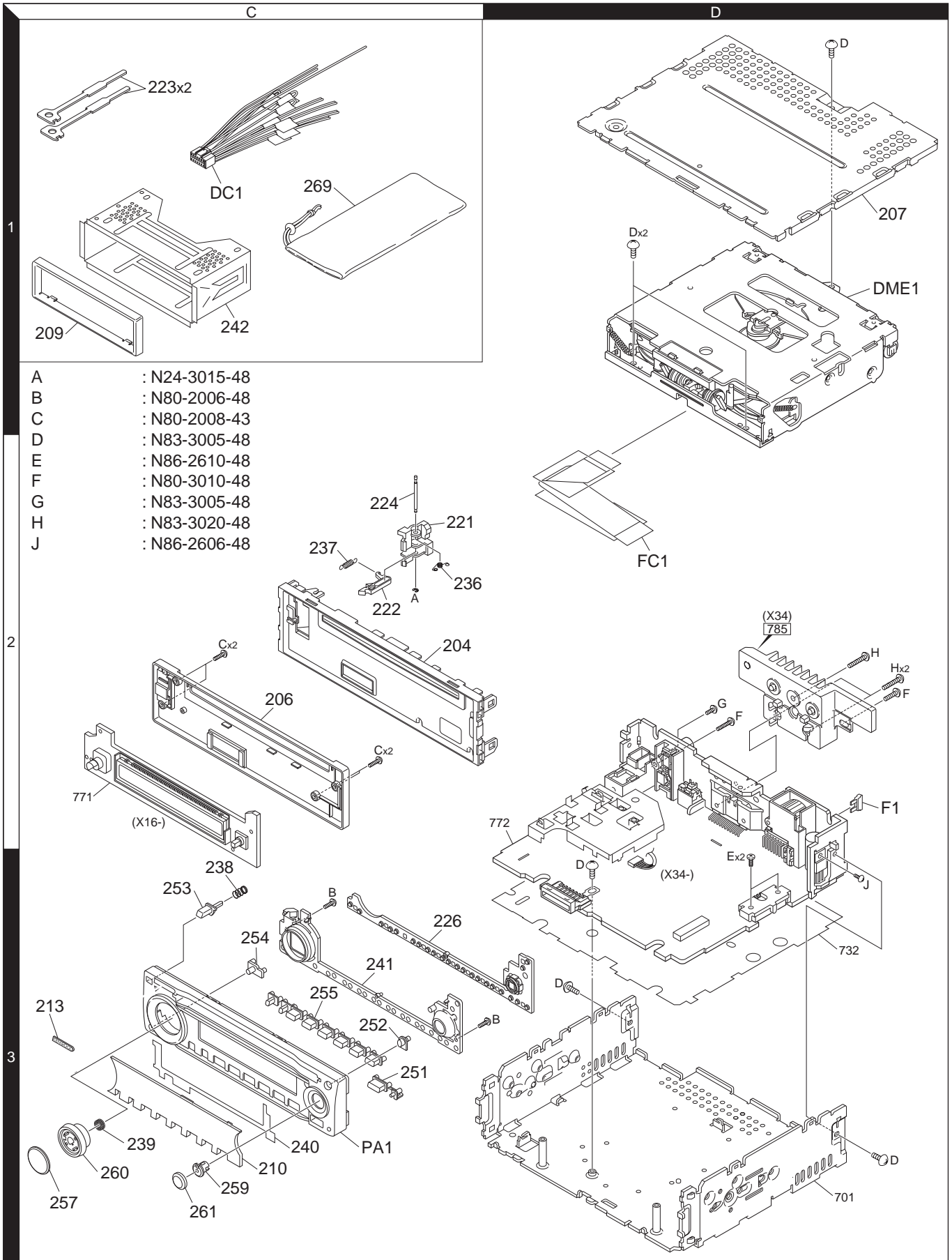
- DC voltages are as measured with a high impedance voltmeter. Values may vary slightly due to variations between individual instruments or/and units.

# EXPLODED VIEW (CD MECHANISM)



A	φ2x8	: N09-4460-15
B	M1.7x8	: N09-6317-05
C	M1.7x2.5	: N09-6004-15
E	M2x2	: N09-6007-15
F	φ2x5(BLK)	: N09-6051-15
G	1.6 WASHER	: N19-2163-04
H	M2x2	: N39-2020-48
J	φ2x3.5	: N09-6108-15
K	φ2x6	: N09-6155-15

EXPLODED VIEW (UNIT)



Parts with the exploded numbers larger than 700 are not supplied.

# PARTS LIST

\* New parts

Parts without **Parts No.** are not supplied.

Les articles non mentionnés dans le **Parts No.** ne sont pas fournis.

Teile ohne **Parts No.** werden nicht geliefert.

Ref. No.	A d d	N e w	Parts No.	Description	Desti- nation
<b>CKDC-MP576/MP676F/MP676V</b>					
204	2C		A22-2922-13	SUB PANEL ASSY	
206	2C		A46-1829-01	REAR COVER	
207	1D		A52-0821-12	TOP PLATE	
PA1	3C	*	A64-3936-02	PANEL ASSY	
-			B46-0681-04	ID CARD	
-			B46-0682-00	WARRANTY CARD	
-			B58-1426-04	CAUTION CARD	
-			B64-3290-00	INST. MANUAL (ENG.SPA)	
-			B64-3291-00	INST. MANUAL (FRENCH)	
209	1C	*	B07-3175-01	ESCUTCHEON	K
209	1C	*	B07-3182-01	ESCUTCHEON	K2K3
210	3C	*	B10-4838-02	FRONT GLASS	K
210	3C	*	B10-4839-02	FRONT GLASS	K2K3
213	3C		B43-1524-04	BADGE	
221	2C		D10-4619-03	LEVER	
222	2C		D10-4620-03	LEVER	
223	1C		D10-4705-04	LEVER	
224	2C		D21-2392-04	SHAFT	
226	3C		E29-2070-02	CONDUCTIVE RUBBER	
△ DC1	1C	*	E30-6583-05	DC CORD	
FC1	2D		E39-0736-05	FLAT CABLE	
△ F1	2D		F52-0023-05	FUSE (MINI BLADE TYPE) (10A)	
236	2C		G01-3097-04	TORSION COIL SPRING	
237	2C		G01-3154-04	EXTENSION SPRING	
238	3C		G01-3273-04	COMPRESSION SPRING (REL)	
239	3C	*	G01-4613-04	TORSION COIL SPRING (VOL)	
-			H10-4919-12	POLYSTYRENE FOAMED FIXTURE	
-		*	H21-1176-14	PROTECTION SHEET	
-			H25-0329-04	PROTECTION BAG (280X450X0.03)	
-			H25-1236-14	PROTECTION BAG (0.03X180X500)	
-			H54-3609-03	ITEM CARTON CASE	
240	3C	*	H30-0597-03	ADHESIVE DOUBLE-COATED TAPE	
241	3C	*	J19-7143-01	HOLDER	
242	1C		J22-0227-03	MOUNTING HARDWARE ASSY	
251	3C	*	K25-1838-03	PUSH KNOB (SRC)	
252	3C	*	K24-4612-04	PUSH KNOB (EJECT)	
253	3C	*	K24-4613-04	PUSH KNOB (RELEASE)	
254	3C	*	K24-4611-04	PUSH KNOB (ATT)	
255	3C	*	K25-1839-02	PUSH KNOB (PRESET)	
257	3C	*	K28-0166-03	KEY TOP (VOL)	
259	3C	*	K28-0162-03	KNOB BASE (FM/AM)	
260	3C	*	K28-0161-03	KNOB BASE (VOL)	K
260	3C	*	K28-0169-03	KNOB BASE (VOL)	K2K3
261	3C	*	K28-0164-03	KEY TOP (FM/AM)	
A	2C		N24-3015-48	E TYPE RETAINING RING	
B	3C		N80-2006-48	PAN HEAD TAPTITE SCREW	
C	2C		N80-2008-43	PAN HEAD TAPTITE SCREW	
D	1D		N83-3005-48	PAN HEAD TAPTITE SCREW	
E	3D		N86-2610-48	BINDING HEAD TAPTITE SCREW	
269	1C		W01-1661-05	CARRYING CASE	

Ref. No.	A d d	N e w	Parts No.	Description	Desti- nation
DME1	1D	*	X92-5470-05	MECHANISM ASSY (DXM-6685W)	
<b>SWITCH UNIT (X16-381x-xx)</b>					
D31-33			B30-1567-05	LED (1608,RED)	KK3
D34-36			B30-1533-05	LED (1608,PG)	K2
D37-39			B30-1567-05	LED (1608,RED)	KK3
D40-42			B30-1533-05	LED (1608,PG)	K2
D43-45			B30-1567-05	LED (1608,RED)	KK3
D46-48			B30-1533-05	LED (1608,PG)	K2
D49-51			B30-1567-05	LED (1608,RED)	KK3
D52-54			B30-1533-05	LED (1608,PG)	K2
D61-65			B30-1533-05	LED (1608,PG)	K2
D61,62			B30-1567-05	LED (1608,RED)	K3
D61,62			B30-1729-05	LED (1608,BLUE)	K
D70			B30-1567-05	LED (1608,RED)	
D97,98			B30-1567-05	LED (1608,RED)	K3
D97,98			B30-1729-05	LED (1608,BLUE)	K
C10			CK73GB0J225K	CHIP C 2.2UF	K
C11,12			CK73GB1H103K	CHIP C 0.010UF	K
C15			CC73GCH1H470J	CHIP C 47PF	J
C16			CK73GB1H103K	CHIP C 0.010UF	K
C61,62			CK73GB1H103K	CHIP C 0.010UF	K
C67,68			CK73GB1H103K	CHIP C 0.010UF	K
J1			E59-0851-05	RECTANGULAR PLUG	
CP11			RK74HB1J103J	CHIP-COM 10K	J 1/16W
R11			RK73GB2A221J	CHIP R 220	J 1/10W
R13-17			RK73GB2A221J	CHIP R 220	J 1/10W
R18			RK73GB2A102J	CHIP R 1.0K	J 1/10W
R19			RK73GB2A221J	CHIP R 220	J 1/10W
R23			RK73GB2A104J	CHIP R 100K	J 1/10W
R31-34			RK73FB2B471J	CHIP R 470	J 1/8W
R61			RK73EB2E301J	CHIP R 300	J 1/4W
R61			RK73EB2E681J	CHIP R 680	J 1/4W
R61,62			RK73EB2E621J	CHIP R 620	J 1/4W
R62			RK73EB2E681J	CHIP R 680	J 1/4W
R62			RK73EB2E821J	CHIP R 820	J 1/4W
R63			RK73EB2E471J	CHIP R 470	J 1/4W
R63			RK73EB2E681J	CHIP R 680	J 1/4W
R70			RK73GB2A221J	CHIP R 220	J 1/10W
R72			RK73GB2A472J	CHIP R 4.7K	J 1/10W
R74			RK73GB2A4R7J	CHIP R 4.7	J 1/10W
R75			RK73GB2A203J	CHIP R 20K	J 1/10W
R78			RK73GB2A102J	CHIP R 1.0K	J 1/10W
R80-82			RK73PB2H470J	CHIP R 47	J 1/2W
W1			R92-1252-05	CHIP R 0 OHM	J 1/16W
W2,3			R92-1252-05	CHIP R 0 OHM	J 1/16W
S12			S70-0106-05	TACT SWITCH	
S11			T99-0457-15	ROTARY ENCODER	
D71-77			UDZS5.6B	ZENER DIODE	
D78			DA204U	DIODE	
ED1			3-BT-224N	FLUORESCENT INDICATOR TUBE	
IC1			LC75756W	MOS-IC	

K : CKDC-MP576 K2 : CKDC-MP676F K3 : CKDC-MP676V  
(E : Europe K : North America M : Other Areas W : Without Europe)

△ Indicates safety critical components.

# PARTS LIST

## SWITCH UNIT (X16-381x-xx)

Ref. No.	Add	New	Parts No.	Description	Destination
Q21			RT1P141U	TRANSISTOR	
<b>CD PLAYER UNIT (X32-5860-00)</b>					
C1,2			CK73GB1A105K	CHIP C 1.0UF K	
C3,4			CC73GCH1H681J	CHIP C 680PF J	
C5,6			CC73GCH1H680J	CHIP C 68PF J	
C7,8			CK73GB1H222K	CHIP C 2200PF K	
C9			CK73GB1H104K	CHIP C 0.10UF K	
C10			CK73FB0J106K	CHIP C 10UF K	
C11			CK73GB1H103K	CHIP C 0.010UF K	
C12			CK73GB1A105K	CHIP C 1.0UF K	
C20			CC73GCH1H391J	CHIP C 390PF J	
C21			CK73GB1H472K	CHIP C 4700PF K	
C22			CK73GB1H152K	CHIP C 1500PF K	
C23			CC73GCH1H391J	CHIP C 390PF J	
C24			CK73EB1A475K	CHIP C 4.7UF K	
C25			CK73FB0J106K	CHIP C 10UF K	
C30			CK73GB1H104K	CHIP C 0.10UF K	
C31			CK73GB1A105K	CHIP C 1.0UF K	
C32			CK73GB1H104K	CHIP C 0.10UF K	
C34			CK73FB0J475K	CHIP C 4.7UF K	
C35			CK73GB1H104K	CHIP C 0.10UF K	
C38-40			CK73GB1H104K	CHIP C 0.10UF K	
C41			CK73GB0J225K	CHIP C 2.2UF K	
C42			CK73GB1A105K	CHIP C 1.0UF K	
C43			C92-1792-05	ELECTRO 22UF 6.3WV	
C46			CK73GB1H104K	CHIP C 0.10UF K	
C50			CK73GB1H104K	CHIP C 0.10UF K	
C51			CK73GB1H102K	CHIP C 1000PF K	
C52			CK73GB0J225K	CHIP C 2.2UF K	
C53,54			CK73GB0J475K	CHIP C 4.7UF K	
C55			CK73FB0J106K	CHIP C 10UF K	
C56,57			CK73GB1H104K	CHIP C 0.10UF K	
C58			CK73FB0J475K	CHIP C 4.7UF K	
C60			CK73GB0J225K	CHIP C 2.2UF K	
C61			CK73GB1H104K	CHIP C 0.10UF K	
C62			CK73FB0J475K	CHIP C 4.7UF K	
C63			CK73GB0J225K	CHIP C 2.2UF K	
C64			CK73GB1H152K	CHIP C 1500PF K	
C65,66			CK73GB1H102K	CHIP C 1000PF K	
C67			CK73GB1H152K	CHIP C 1500PF K	
C68			CK73GB1H103K	CHIP C 0.010UF K	
C69			CK73GB1H332K	CHIP C 3300PF K	
C70			CK73GB1H682K	CHIP C 6800PF K	
C71			CK73GB1H104K	CHIP C 0.10UF K	
C72			CK73GB1H103K	CHIP C 0.010UF K	
C73			CC73GCH1H120J	CHIP C 12PF J	
C74			CC73GCH1H060D	CHIP C 6.0PF D	
C75			CK73GB1H104K	CHIP C 0.10UF K	
C76			CC73GCH1H030C	CHIP C 3.0PF C	
C77			CC73GCH1H020C	CHIP C 2.0PF C	
C78			CK73GB0J225K	CHIP C 2.2UF K	
C79,80			CK73GB1H104K	CHIP C 0.10UF K	
C81,82			CC73GCH1H470J	CHIP C 47PF J	
C83			CK73GB1H103K	CHIP C 0.010UF K	

Ref. No.	Add	New	Parts No.	Description	Destination
C85			CK73FB0J106K	CHIP C 10UF K	
C96			CK73GB0J475K	CHIP C 4.7UF K	
C100			CK73GB1C224K	CHIP C 0.22UF K	
C101			CK73GB1H103K	CHIP C 0.010UF K	
CN1			E41-2083-15	FLAT CABLE CONNECTOR	
CN2			E41-2612-05	FLAT CABLE CONNECTOR	
X1			L78-0862-05	RESONATOR (16.00MHZ)	
X2			L78-0851-05	RESONATOR (16.93MHZ)	
CP1			RK74GA1J101J	CHIP-COM 100 J 1/16W	
CP2			RK74GA1J472J	CHIP-COM 4.7K J 1/16W	
CP4,5			RK74GA1J101J	CHIP-COM 100 J 1/16W	
CP6,7			RK74HB1J103J	CHIP-COM 10K J 1/16W	
CP8-11			RK74HB1J101J	CHIP-COM 100 J 1/16W	
CP12			RK74GA1J101J	CHIP-COM 100 J 1/16W	
CP13			RK74GA1J103J	CHIP-COM 10K J 1/16W	
CP14			RK74GA1J101J	CHIP-COM 100 J 1/16W	
CP27			RK74GB1J472J	CHIP-COM 4.7K J 1/16W	
CP28			RK74GB1J103J	CHIP-COM 10K J 1/16W	
R1,2			RK73GH2A103D	CHIP R 10K D 1/10W	
R3,4			RK73GB2A272J	CHIP R 2.7K J 1/10W	
R5,6			RK73GB2A752J	CHIP R 7.5K J 1/10W	
R7,8			RK73GB2A333J	CHIP R 33K J 1/10W	
R9,10			RK73GH2A103D	CHIP R 10K D 1/10W	
R11,12			RK73GB2A331J	CHIP R 330 J 1/10W	
R14-16			RK73GB2A2R2J	CHIP R 2.2 J 1/10W	
R20			RK73GB2A123J	CHIP R 12K J 1/10W	
R21			RK73GB2A133J	CHIP R 13K J 1/10W	
R22,23			RK73GB2A123J	CHIP R 12K J 1/10W	
R24			RK73GB2A432J	CHIP R 4.3K J 1/10W	
R25			RK73GB2A472J	CHIP R 4.7K J 1/10W	
R26			RK73GB2A183J	CHIP R 18K J 1/10W	
R27			RK73GB2A163J	CHIP R 16K J 1/10W	
R28			RK73GB2A133J	CHIP R 13K J 1/10W	
R29			RK73GB2A102J	CHIP R 1.0K J 1/10W	
R30			RK73GB2A101J	CHIP R 100 J 1/10W	
R31			RK73GB2A133J	CHIP R 13K J 1/10W	
R40-44			RK73GB2A103J	CHIP R 10K J 1/10W	
R48			RK73GB2A472J	CHIP R 4.7K J 1/10W	
R50-52			RK73GB2A103J	CHIP R 10K J 1/10W	
R55			RK73GB2A103J	CHIP R 10K J 1/10W	
R56			RK73GB2A101J	CHIP R 100 J 1/10W	
R57			RK73GB2A472J	CHIP R 4.7K J 1/10W	
R70			RK73GB2A102J	CHIP R 1.0K J 1/10W	
R71			RK73GB2A101J	CHIP R 100 J 1/10W	
R72			RK73GB2A333J	CHIP R 33K J 1/10W	
R74			RK73GB2A333J	CHIP R 33K J 1/10W	
R75			RK73GB2A750J	CHIP R 75 J 1/10W	
R78			RK73GB2A103J	CHIP R 10K J 1/10W	
R79			RK73GB2A333J	CHIP R 33K J 1/10W	
R80,81			RK73GB2A682J	CHIP R 6.8K J 1/10W	
R88			RK73GB2A472J	CHIP R 4.7K J 1/10W	
R89			RK73GB2A104J	CHIP R 100K J 1/10W	
R90			RK73GB2A4R7J	CHIP R 4.7 J 1/10W	

K : CKDC-MP576 K2 : CKDC-MP676F K3 : CKDC-MP676V  
(E : Europe K : North America M : Other Areas W : Without Europe)

△ Indicates safety critical components.

# PARTS LIST

## CD PLAYER UNIT (X32-5860-00)

Ref. No.	A d d	N e w	Parts No.	Description	Desti- nation
R91			RK73GB2A910J	CHIP R 91 J 1/10W	
R92			RK73GB2A225J	CHIP R 2.2M J 1/10W	
R93			RK73GB2A103J	CHIP R 10K J 1/10W	
R100			RK73GB2A470J	CHIP R 47 J 1/10W	
R101			RK73GB2A102J	CHIP R 1.0K J 1/10W	
R102			RK73GB2A272J	CHIP R 2.7K J 1/10W	
R103,104			RK73GB2A223J	CHIP R 22K J 1/10W	
R112,113			RK73GB2A100J	CHIP R 10 J 1/10W	
R150			RK73GB2A103J	CHIP R 10K J 1/10W	
R151			RK73GB2A2R2J	CHIP R 2.2 J 1/10W	
R152			RK73EB2E3R3J	CHIP R 3.3 J 1/4W	
W1			R92-1252-05	CHIP R 0 OHM J 1/16W	
W20,21			R92-1252-05	CHIP R 0 OHM J 1/16W	
S1,2			S68-0863-05	PUSH SWITCH	
S3			S68-0862-05	PUSH SWITCH	
D1			DAP202U	DIODE	
IC1			TAR5S33-F	ANALOGUE IC	
IC2			NJM4580V-ZB	ANALOGUE IC	
IC3			BA5824FP	ANALOGUE IC	
IC4			703030BYGCJ21A	MICROCONTROLLER IC	
IC5			XC6219B332MR	ANALOGUE IC	
IC6			BA33BC0WFP	ANALOGUE IC	
IC7			UPD63763CGJ	MOS-IC	
IC9			BR24L02FV-W	ROM IC	
IC11			TC7SET32FU-F	MOS-IC	
Q1			2SA1576A	TRANSISTOR	
Q4			2SB0970	TRANSISTOR	
Q5			DTA143XUA	DIGITAL TRANSISTOR	
Q6			DTC143XUA	DIGITAL TRANSISTOR	
Q7			DTA143XUA	DIGITAL TRANSISTOR	
Q8			DTC143XUA	DIGITAL TRANSISTOR	
<b>ELECTRIC UNIT (X34-4570-10)</b>					
D301			B30-1567-05	LED (1608,RED)	
C1			C90-5683-05	ELECTRO 3300UF 16WV	
C2			CD04AB1C220M	ELECTRO 22UF 16WV	
C4			CK73GB1H104K	CHIP C 0.10UF K	
C6			CK73GB1H104K	CHIP C 0.10UF K	
C7			CK73GB1A105K	CHIP C 1.0UF K	
C8			CK73FB1A225K	CHIP C 2.2UF K	
C9			CK73GB1H104K	CHIP C 0.10UF K	
C10			CD04AB0J101M	ELECTRO 100UF 6.3WV	
C11,12			CD04AT1E101M	ELECTRO 100UF 25WV	
C97			CD04AB1C220M	ELECTRO 22UF 16WV	
C101,102			CK73GB1H103K	CHIP C 0.010UF K	
C201			CC73GCH1H180J	CHIP C 18PF J	
C202			CC73GCH1H220J	CHIP C 22PF J	
C203			CK73GB1H104K	CHIP C 0.10UF K	
C204			CK73GB1H102K	CHIP C 1000PF K	
C301,302			CD04AB1HR47M	ELECTRO 0.47UF 50WV	
C410			CK73GB1A105K	CHIP C 1.0UF K	
C501			CC73GCH1H100D	CHIP C 10PF D	
C502			CK73GB1H152K	CHIP C 1500PF K	
C503			CK73GB1H104K	CHIP C 0.10UF K	

Ref. No.	A d d	N e w	Parts No.	Description	Desti- nation
C504			CK73GB1H103K	CHIP C 0.010UF K	
C505			CD04AC1V4R7M	ELECTRO 4.7UF 35WV	
C506			CK73GB1H104K	CHIP C 0.10UF K	
C507			CD04AC1A330M	ELECTRO 33UF 10WV	
C508			CD04AC1C220M	ELECTRO 22UF 16WV	
C509			CC73GCH1H680J	CHIP C 68PF J	
C510			CC73GCH1H101J	CHIP C 100PF J	
C511			CK73GB1H103K	CHIP C 0.010UF K	
C512			CD04AC1V4R7M	ELECTRO 4.7UF 35WV	
C513,514			CK73GB1H103K	CHIP C 0.010UF K	
C515			CK73FB1C105K	CHIP C 1.0UF K	
C521			CK73GB1H104K	CHIP C 0.10UF K	
C522			CC73GCH1H330J	CHIP C 33PF J	
C523			CC73GCH1H270J	CHIP C 27PF J	
C524			CC73GCH1H101J	CHIP C 100PF J	
C525			CK73GB1H103K	CHIP C 0.010UF K	
C527			CC73GCH1H050C	CHIP C 5.0PF C	
C528			CK73GB1H102K	CHIP C 1000PF K	
C529			CC73GCH1H060D	CHIP C 6.0PF D	
C531			CC73GCH1H040C	CHIP C 4.0PF C	
C532			CK73FB1C105K	CHIP C 1.0UF K	
C533			CD04AC1A330M	ELECTRO 33UF 10WV	
C534,535			CK73GB1H103K	CHIP C 0.010UF K	
C536			CC73GCH1H020C	CHIP C 2.0PF C	
C537			CC73GCH1H040C	CHIP C 4.0PF C	
C538,539			CC73GCH1H080D	CHIP C 8.0PF D	
C541			CC73GCH1H040C	CHIP C 4.0PF C	
C542			CC73GCH1H220J	CHIP C 22PF J	
C543			CC73GCH1H680J	CHIP C 68PF J	
C544			CC73GCH1H150J	CHIP C 15PF J	
C545			CK73GB1H682K	CHIP C 6800PF K	
C546			CK73GB1H103K	CHIP C 0.010UF K	
C547			CD04AC1C100M	ELECTRO 10UF 16WV	
C548			CD04AB1C101M	ELECTRO 100UF 16WV	
C549			CK73GB1H102K	CHIP C 1000PF K	
C550			CK73GB1H333K	CHIP C 0.033UF K	
C551			CK73GB1H223K	CHIP C 0.022UF K	
C552			CK73GB1H222K	CHIP C 2200PF K	
C553,554			CK73GB1H103K	CHIP C 0.010UF K	
C555			CK73FB1C105K	CHIP C 1.0UF K	
C556,557			CK73GB1H104K	CHIP C 0.10UF K	
C558			CD04AC1H010M	ELECTRO 1.0UF 50WV	
C559			CK73GB1H102K	CHIP C 1000PF K	
C560			CD04AB1V100M	ELECTRO 10UF 35WV	
C561			CC73GCH1H101J	CHIP C 100PF J	
C563			CD04AB1C470M	ELECTRO 47UF 16WV	
C565			CK73GB1A474K	CHIP C 0.47UF K	
C566			CD04AC1HR47M	ELECTRO 0.47UF 50WV	
C567			CC73GCH1H821J	CHIP C 820PF J	
C571			CC73GCH1H020C	CHIP C 2.0PF C	
C572			CK73GB1H104K	CHIP C 0.10UF K	
C573			CK73GB1H103K	CHIP C 0.010UF K	
C574			CK73GB1H104K	CHIP C 0.10UF K	
C575			CD04AC1V4R7M	ELECTRO 4.7UF 35WV	
C576			CK73GB1H103K	CHIP C 0.010UF K	

K : CKDC-MP576 K2 : CKDC-MP676F K3 : CKDC-MP676V  
(E : Europe K : North America M : Other Areas W : Without Europe)

△ Indicates safety critical components.



# PARTS LIST

## ELECTRIC UNIT (X34-4570-10)

Ref. No.	Add	New	Parts No.	Description	Destination	Ref. No.	Add	New	Parts No.	Description	Destination
C577			CK73GB1H104K	CHIP C 0.10UF K		R101			RD14BB2C472J	RD 4.7K J 1/6W	
C578			CK73GB1H103K	CHIP C 0.010UF K		R103			RD14BB2C103J	RD 10K J 1/6W	
C579			CK73GB1A474K	CHIP C 0.47UF K		R104			RK73GB2A223J	CHIP R 22K J 1/10W	
C580			CK73GB1H104K	CHIP C 0.10UF K		R105			RK73GB2A473J	CHIP R 47K J 1/10W	
C601			CD04AB1H010M	ELECTRO 1.0UF 50WV		R106			RD14DB2H332J	SMALL-RD 3.3K J 1/2W	
C602-605			C90-5684-05	NP-ELECT 0.22UF 50WV		R107			RD14BB2C333J	RD 33K J 1/6W	
C606			CK73GB1A105K	CHIP C 1.0UF K		R108			RK73GB2A103J	CHIP R 10K J 1/10W	
C607			C90-6802-05	ELECTRO 1UF 50WV		R109			RD14BB2C223J	RD 22K J 1/6W	
C608			CD04AB1V100M	ELECTRO 10UF 35WV		R112			RD14BB2C203J	RD 20K J 1/6W	
C701			CD04AC1C100M	ELECTRO 10UF 16WV		R114-117			RK73GB2A103J	CHIP R 10K J 1/10W	
C702			CD04AB1V100M	ELECTRO 10UF 35WV		R201,202			RK73GB2A103J	CHIP R 10K J 1/10W	
C801			CD04AB1V100M	ELECTRO 10UF 35WV		R203			RK73GB2A473J	CHIP R 47K J 1/10W	
C901,902			CD04AB1C101M	ELECTRO 100UF 16WV		R204-206			RK73GB2A223J	CHIP R 22K J 1/10W	
CN2			E41-2581-05	FLAT CABLE CONNECTOR		R208			RK73GB2A223J	CHIP R 22K J 1/10W	
△ J1			E58-0991-05	RECTANGULAR RECEPTACLE		R210			RK73GB2A223J	CHIP R 22K J 1/10W	
J2			E04-0332-05	RF COAXIAL CABLE RECEPTACLE		R212,213			RD14BB2C471J	RD 470 J 1/6W	
J5			E58-0992-05	RECTANGULAR RECEPTACLE		R214			RK73GB2A473J	CHIP R 47K J 1/10W	
J6			E63-0898-05	PIN JACK		R215			RD14BB2C473J	RD 47K J 1/6W	
CF51-53			L72-0805-05	CERAMIC FILTER		R217			RK73GB2A222J	CHIP R 2.2K J 1/10W	
CF54			L72-0804-05	CERAMIC FILTER		R218			RD14BB2C473J	RD 47K J 1/6W	
L1			L33-2289-05	CHOKE COIL ASSY		R219			RD14BB2C472J	RD 4.7K J 1/6W	
L2			L33-1978-05	CHOKE COIL		R220			RK73GB2A223J	CHIP R 22K J 1/10W	
L61			L40-4795-91	SMALL FIXED INDUCTOR (4.7UH)		R225			RK73GB2A103J	CHIP R 10K J 1/10W	
L401			L40-4795-91	SMALL FIXED INDUCTOR (4.7UH)		R226			RK73GB2A222J	CHIP R 2.2K J 1/10W	
L500			L33-2260-05	CHOKE COIL		R227			RK73GB2A473J	CHIP R 47K J 1/10W	
L501			L40-6891-58	SMALL FIXED INDUCTOR (6.8UH)		R228			RD14BB2C473J	RD 47K J 1/6W	
L502			L40-3301-58	SMALL FIXED INDUCTOR (33UH)		R229			RK73GB2A123J	CHIP R 12K J 1/10W	
L503			L40-1021-56	SMALL FIXED INDUCTOR (1MH)		R301			RK73GB2A222J	CHIP R 2.2K J 1/10W	
L504			L40-1011-58	SMALL FIXED INDUCTOR (100UH)		R302			RK73GB2A101J	CHIP R 100 J 1/10W	
L505			L31-0979-05	FM-RF COIL (ANT)		R303			RK73GB2A222J	CHIP R 2.2K J 1/10W	
L506			L31-0981-05	FM-RF COIL (RF)		R304			RK73GB2A472J	CHIP R 4.7K J 1/10W	
L507			L32-0945-05	FM OSCILLATING COIL (VCO)		R307-309			RK73GB2A102J	CHIP R 1.0K J 1/10W	
L508			L30-0779-05	FM IFT		R310			RK73GB2A104J	CHIP R 100K J 1/10W	
L509			L30-0781-05	AM IFT		R312			RD14BB2C472J	RD 4.7K J 1/6W	
L510-515			L40-4795-91	SMALL FIXED INDUCTOR (4.7UH)		R314			RD14BB2C472J	RD 4.7K J 1/6W	
X1			L78-0879-05	RESONATOR (10.0MHZ)		R315			RK73GB2A222J	CHIP R 2.2K J 1/10W	
X2			L77-2920-05	CRYSTAL RESONATOR (32.768KHZ)		R316			RK73GB2A472J	CHIP R 4.7K J 1/10W	
X501			L77-2077-05	CRYSTAL RESONATOR (10.25MHZ)		R317			RK73GB2A222J	CHIP R 2.2K J 1/10W	
F	2D		N80-3010-48	PAN HEAD TAPTITE SCREW		R318			RK73GB2A472J	CHIP R 4.7K J 1/10W	
G	2D		N83-3005-48	PAN HEAD TAPTITE SCREW		R319			RD14BB2C241J	RD 240 J 1/6W	
H	2D		N83-3020-48	PAN HEAD TAPTITE SCREW		R320,321			RK73GB2A472J	CHIP R 4.7K J 1/10W	
J	3D		N86-2606-48	BINDING HEAD TAPTITE SCREW		R402			RD14BB2C222J	RD 2.2K J 1/6W	
R1			RD14BB2C102J	RD 1.0K J 1/6W		R403			RD14BB2C102J	RD 1.0K J 1/6W	
R4-7			RK73GB2A103J	CHIP R 10K J 1/10W		R404,405			RD14BB2C222J	RD 2.2K J 1/6W	
R8			RK73FB2B681J	CHIP R 680 J 1/8W		R406			RD14BB2C104J	RD 100K J 1/6W	
R9			RK73GB2A103J	CHIP R 10K J 1/10W		R407-409			RD14BB2C222J	RD 2.2K J 1/6W	
R10			RK73GB2A473J	CHIP R 47K J 1/10W		R410			RD14BB2C102J	RD 1.0K J 1/6W	
R11-14			RK73PB2H100J	CHIP R 10 J 1/2W		R411			RD14BB2C225J	RD 2.2M J 1/6W	
R15			RD14DB2H100J	SMALL-RD 10 J 1/2W		R412			RD14BB2C222J	RD 2.2K J 1/6W	
R33			RD14BB2C100J	RD 10 J 1/6W		R413			RD14BB2C474J	RD 470K J 1/6W	
R51			RK73FB2B683J	CHIP R 68K J 1/8W		R414			RD14BB2C102J	RD 1.0K J 1/6W	
R52			RK73GB2A393J	CHIP R 39K J 1/10W		R415			RD14BB2C474J	RD 470K J 1/6W	
R53			RK73GB2A104J	CHIP R 100K J 1/10W		R501			RK73GB2A682J	CHIP R 6.8K J 1/10W	
R100			RK73GB2A272J	CHIP R 2.7K J 1/10W		R502			RK73GB2A222J	CHIP R 2.2K J 1/10W	
						R503			RK73EB2E222J	CHIP R 2.2K J 1/4W	

K : CKDC-MP576 K2 : CKDC-MP676F K3 : CKDC-MP676V  
(E : Europe K : North America M : Other Areas W : Without Europe)

△ Indicates safety critical components.

# PARTS LIST

## ELECTRIC UNIT (X34-4570-10)

Ref. No.	A d d	N e w	Parts No.	Description	Desti- nation
R504			RK73GB2A102J	CHIP R 1.0K J 1/10W	
R505			RK73GB2A105J	CHIP R 1.0M J 1/10W	
R506			RK73GB2A102J	CHIP R 1.0K J 1/10W	
R521-524			RK73GB2A104J	CHIP R 100K J 1/10W	
R525			RK73GB2A821J	CHIP R 820 J 1/10W	
R526			RK73GB2A562J	CHIP R 5.6K J 1/10W	
R527			RK73GB2A104J	CHIP R 100K J 1/10W	
R528			RD14BB2C104J	RD 100K J 1/6W	
R541			RK73GB2A562J	CHIP R 5.6K J 1/10W	
R542			RK73GB2A222J	CHIP R 2.2K J 1/10W	
R543			RK73GB2A220J	CHIP R 22 J 1/10W	
R544			RK73GB2A432J	CHIP R 4.3K J 1/10W	
R545			RK73GB2A333J	CHIP R 33K J 1/10W	
R546			RK73GB2A104J	CHIP R 100K J 1/10W	
R547,548			RK73GB2A471J	CHIP R 470 J 1/10W	
R549			RD14BB2C473J	RD 47K J 1/6W	
R561			RK73GB2A272J	CHIP R 2.7K J 1/10W	
R581			RK73GB2A102J	CHIP R 1.0K J 1/10W	
R582			RD14BB2C1R0J	RD 1.0 J 1/6W	
R604			RK73GB2A154J	CHIP R 150K J 1/10W	
R606			RK73GB2A331J	CHIP R 330 J 1/10W	
R607			RK73GB2A154J	CHIP R 150K J 1/10W	
R608			RK73GB2A103J	CHIP R 10K J 1/10W	
R609			RK73GB2A432J	CHIP R 4.3K J 1/10W	
R610			RK73GB2A100J	CHIP R 10 J 1/10W	
R701,702			RK73GB2A331J	CHIP R 330 J 1/10W	
R703,704			RD14BB2C223J	RD 22K J 1/6W	
R705,706			RD14BB2C181J	RD 180 J 1/6W	
R901,902			RK73GB2A334J	CHIP R 330K J 1/10W	
R903			RK73GB2A153J	CHIP R 15K J 1/10W	
R904			RK73GB2A223J	CHIP R 22K J 1/10W	
R905,906			RK73GB2A104J	CHIP R 100K J 1/10W	
R907-914			RD14BB2C104J	RD 100K J 1/6W	
R915			RK73GB2A104J	CHIP R 100K J 1/10W	
R952,953			RK73GB2A000J	CHIP R 0.0 J 1/10W	
R955,956			RK73GB2A000J	CHIP R 0.0 J 1/10W	
R959			RK73GB2A000J	CHIP R 0.0 J 1/10W	
R962			RK73EB2E000J	CHIP R 0.0 J 1/4W	
R963			RK73GB2A000J	CHIP R 0.0 J 1/10W	
R964			RK73EB2E000J	CHIP R 0.0 J 1/4W	
R965			RK73GB2A000J	CHIP R 0.0 J 1/10W	
R966			RK73EB2E000J	CHIP R 0.0 J 1/4W	
R967			RK73GB2A000J	CHIP R 0.0 J 1/10W	
R970			RK73EB2E000J	CHIP R 0.0 J 1/4W	
R971			RK73GB2A000J	CHIP R 0.0 J 1/10W	
R972			RK73EB2E000J	CHIP R 0.0 J 1/4W	
R973-978			RK73GB2A000J	CHIP R 0.0 J 1/10W	
R980,981			RK73GB2A000J	CHIP R 0.0 J 1/10W	
D1			S2V60*A	DIODE	
D2			MTZJ8.2(B)	ZENER DIODE	
D3			1SR139-400T64	DIODE	
D4			1SS133	DIODE	
D6		*	MTZJ12(B)	ZENER DIODE	
D52			MTZJ6.8(B)	ZENER DIODE	

Ref. No.	A d d	N e w	Parts No.	Description	Desti- nation
D55			1SS133	DIODE	
D101,102			1SR154-400	DIODE	
D105			MTZJ4.7(B)	ZENER DIODE	
D106,107			MTZJ6.8(B)	ZENER DIODE	
D110-112			1SS133	DIODE	
D501			IMSA-6802-E	SURGE ABSORBER	
D502,503			RN739F	DIODE	
D504-506			KV1720STL-G	VARIABLE CAPACITANCE DIODE	
D508,509			MTZJ6.8(B)	ZENER DIODE	
D510			1SS133	DIODE	
D610			1SS133	DIODE	
D901			MTZJ4.7(B)	ZENER DIODE	
IC1		*	30302MAPA26FP	MICROCONTROLLER IC	
IC3			BD4912-V4	ANALOGUE IC	
IC8			S-80836CNNB-J	MOS-IC	
IC10			E-TDA7513T	ANALOGUE IC	
IC11			M24C04-WDW6TP	ROM IC	
IC14			TB2904HQ	ANALOGUE IC	
Q1			UMC2N	TRANSISTOR	
Q2			2SB1565	TRANSISTOR	
Q3			2SC4155A(Q,R,S	TRANSISTOR	
Q5			UMC2N	TRANSISTOR	
Q6			2SB1565	TRANSISTOR	
Q7			2SC4155A(Q,R,S	TRANSISTOR	
Q8			2SA1603A	TRANSISTOR	
Q9			RT1N241M	TRANSISTOR	
Q51			2SC4155A(Q,R,S	TRANSISTOR	
Q101			2SC4155A(Q,R,S	TRANSISTOR	
Q103			2SC4155A(Q,R,S	TRANSISTOR	
Q104,105			RT1N441M	TRANSISTOR	
Q301			RT1N144M	TRANSISTOR	
Q401			RT1P144M	TRANSISTOR	
Q501			HN3G01J(BL)-F	TRANSISTOR	
Q502			3SK126-F	DUAL FET	
Q701			RT1P241M	TRANSISTOR	
Q702,703			RT1N430M	TRANSISTOR	
Q901			2SC4155A(Q,R,S	TRANSISTOR	
Q902,903			2SA1603A	TRANSISTOR	
TH1			PRF18BE471QS2	POSITIVE RESISTOR	
<b>MECHANISM ASSY (X92-5470-05)</b>					
2		1B	A10-5093-32	CHASSIS	
5		2B	* D10-4785-73	ARM ASSY	
8		2A	D10-4787-63	LEVER ASSY	
10		2A	D10-4581-13	ARM	
11		2A	D10-4582-13	ARM	
12		3A	D10-4583-03	ARM	
13		3A	D10-4584-03	ARM	
14		3B	D10-4585-03	ARM	
15		2A	* D10-4792-23	SLIDER	
16		3B	D10-4784-42	SLIDER	
17		2B	D10-4588-13	SLIDER	
18		2B	D10-4595-04	ARM	
19		3B	D10-4596-24	ARM	
22		2A	D13-2151-04	GEAR	

# PARTS LIST

## MECHANISM ASSY (X92-5470-05)

Ref. No.	Add	New	Parts No.	Description	Destination	Ref. No.	Add	New	Parts No.	Description	Destination
23	2B		D13-2152-04	GEAR							
24	3B		D13-2153-04	GEAR							
25	3B		D13-2154-04	GEAR							
26	3B		D13-2155-04	WORM							
27	2B		D13-2156-14	GEAR							
28	3B		D13-2157-04	GEAR							
29	2B		D13-2158-04	GEAR							
30	2B		D13-2168-04	GEAR							
31	3B		D13-2171-04	GEAR							
32	1B		D13-2381-13	RACK (GEAR)							
33	2A		D14-0759-04	ROLLER							
35	2B		D21-2382-04	SHAFT							
36	1A		D23-0954-04	RETAINER							
37	1B		D39-0260-05	DAMPER							
38	2B		G01-3072-04	EXTENSION SPRING							
39	2A		G01-3073-04	TORSION COIL SPRING							
40	2A		G01-3074-04	EXTENSION SPRING							
41	1B		G01-3075-24	EXTENSION SPRING							
42	2A		G01-3076-04	EXTENSION SPRING							
43	1B		G01-3077-14	EXTENSION SPRING							
44	2B		G02-1399-04	FLAT SPRING							
45	2B		G02-1408-04	FLAT SPRING							
46	2A		G13-1258-04	CUSHION							
51	1A		J22-0064-23	MOUNTING HARDWARE ASSY							
52	3B		J21-9677-22	MOUNTING HARDWARE							
53	1B		J21-9678-13	MOUNTING HARDWARE							
55	1A		J90-1078-14	GUIDE ASSY							
56	1B		J90-1023-03	GUIDE							
DFPC1	3A		J86-0027-05	FPC (LEAD FREE)							
A	2B		N09-4460-15	TAPTITE SCREW (PT2X8)							
B	1B		N09-6317-05	TAPTITE SCREW (M1.7X8.0)							
C	2B		N09-6004-15	MACHINE SCREW (M1.7X2.5)							
E	2B		N09-6007-15	MACHINE SCREW (PAN M2X2)							
F	1A		N09-6051-15	TAPTITE SCREW (BIND 2X5)							
G	2A		N19-2163-04	FLAT WASHER (1.6X6X0.25)							
H	1B		N39-2020-48	PAN HEAD MACHINE SCREW (M2X2)							
J	1B		N09-6108-15	TAPTITE SCREW (M2X3.5)							
K	3B		N09-6155-15	SEMS (TAPTITE SCREW) (PT2X6)							
DM1	3B		T42-1066-14	DC MOTOR ASSY (SPINDLE)							
DM2	2B		T42-1067-14	DC MOTOR ASSY (LOADING)							
DPU1	2B		X93-2130-01	OPTICAL PICKUP ASSY (LEAD FREE)							

K : CKDC-MP576 K2 : CKDC-MP676F K3 : CKDC-MP676V  
(E : Europe K : North America M : Other Areas W : Without Europe)

△ Indicates safety critical components.

## SPECIFICATIONS

### FM Tuner Section

Frequency Range (200kHz space) ..... 87.9MHz~107.9MHz  
Usable Sensitivity (S/N : 30dB) ..... 9.3dBf (0.8 $\mu$ V/75 $\Omega$ )  
Quieting Sensitivity (S/N : 50dB) ..... 15.2dBf (1.6 $\mu$ V/75 $\Omega$ )  
Frequency Response ( $\pm$ 3.0dB) ..... 30Hz~15kHz  
Signal to Noise Ratio (MONO) ..... 70dB  
Selectivity ( $\pm$ 400kHz) .....  $\geq$ 80dB  
Stereo Separation (1kHz) ..... 40dB

### AM Tuner Section

Frequency Range (10kHz space) ..... 530kHz~1700kHz  
Usable Sensitivity (S/N : 20dB) ..... 28dB $\mu$  (25 $\mu$ V)

### CD Player Section

Laser Diode ..... GaAlAs  
Digital Filter (D/A) ..... 8 Times Over Sampling  
D/A Converter ..... 1 Bit  
Spindle Speed ..... 1000rpm~400rpm (CLV 2 times)  
Wow & Flutter ..... Below Measurable Limit  
Frequency Response ( $\pm$ 1dB) ..... 10Hz~20kHz  
Total Harmonic Distortion (1kHz) ..... 0.01%  
Signal to Noise Ratio (1kHz) ..... 105dB  
Dynamic Range ..... 93dB  
MP3 Decode ..... Compliant with MPEG-1/2 Audio Layer-3  
WMA Decode ..... Compliant with Windows Media Audio

### Audio Section

Maximum Output Power ..... 45W x 4  
Full Bandwidth Power (at less than 1% THD) ..... 22W x 4  
Speaker Impedance ..... 4 $\Omega$ ~8 $\Omega$   
Tone Action  
    Bass ..... 100Hz $\pm$ 8dB  
    Middle ..... 1kHz $\pm$ 8dB  
    Treble ..... 10kHz $\pm$ 8dB  
Preout Level / Load (during disc play) ..... 2000mV/10k $\Omega$   
Preout Impedance .....  $\leq$ 600 $\Omega$

### General

Operating Voltage (11V~16V allowable) ..... 14.4V  
Current Consumption ..... 10A  
Installation Size  
    Width ..... 182mm (7-3/16 inch)  
    Height ..... 53mm (2-1/16 inch)  
    Depth ..... 155mm (6-1/8 inch)  
Weight ..... 3.1 lbs (1.40kg)

---

KENWOOD follows a policy of continuous advancements in development.

For this reason specifications may be changed without notice.

---